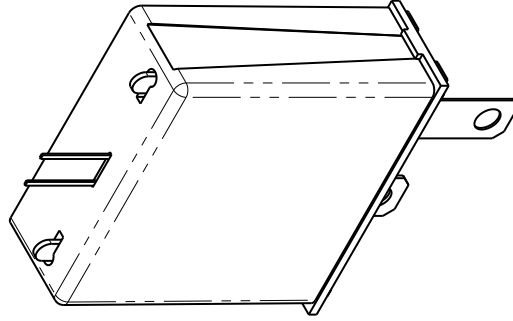
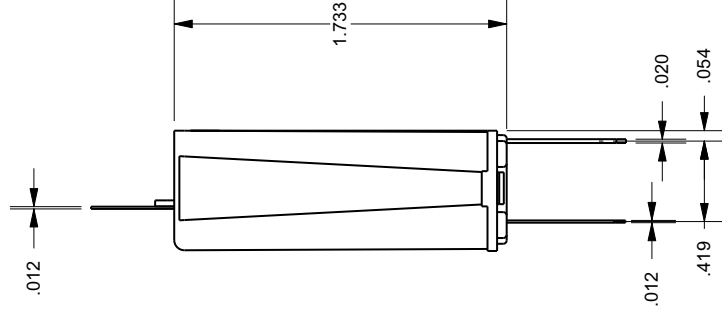
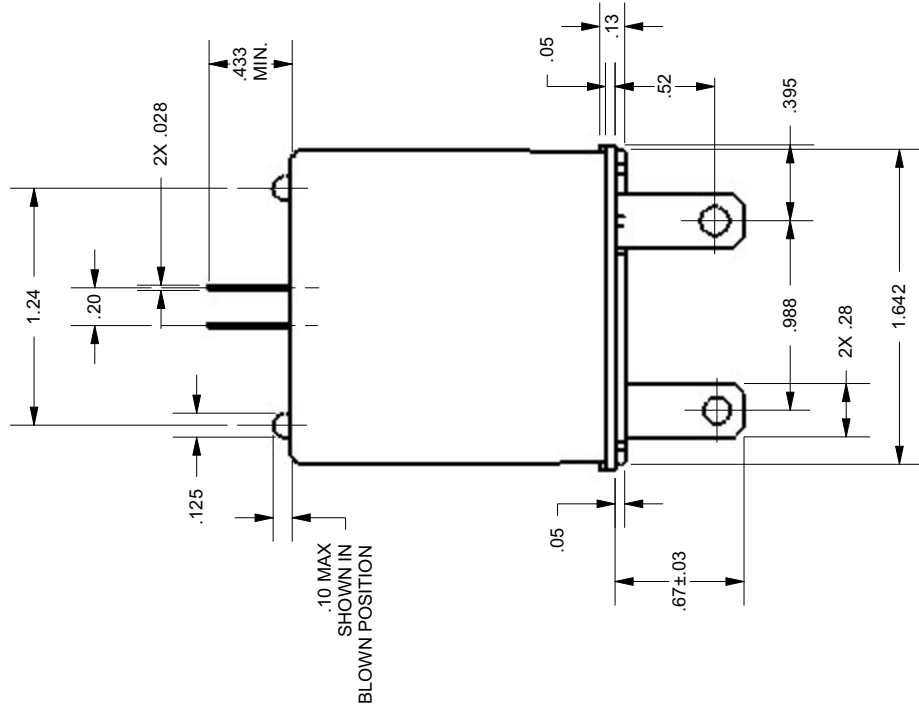
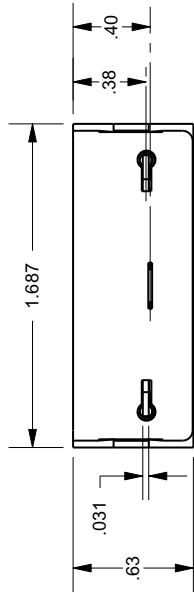


REV	DATE	ECO	DESCRIPTION	BY	CK	APP
D	3-8-06	NA	DIM .433 MIN. WAS .23 MIN.	LDB	NA	NA



**Ferraz Shawmut**  
 FERRAZ SHAWMUT INC.  
 374 MERRIMAC STREET  
 NEWBURYPORT, MA 01950

PRODUCT MANAGER SIGN: DATE:  
 DESIGN ENGINEER SIGN: DATE:

(150-550)TPMOV

50kA 150V-550V

OUTLINE DIMENSIONS  
 NOT TO BE USED FOR PRODUCTION

700668