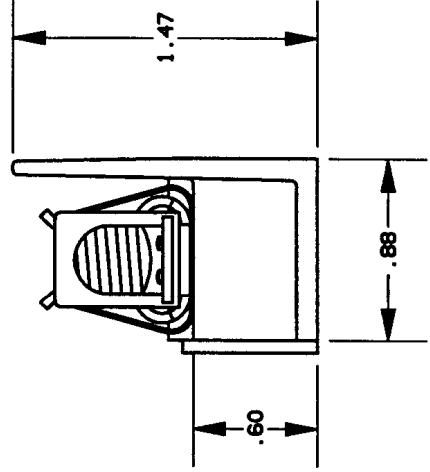
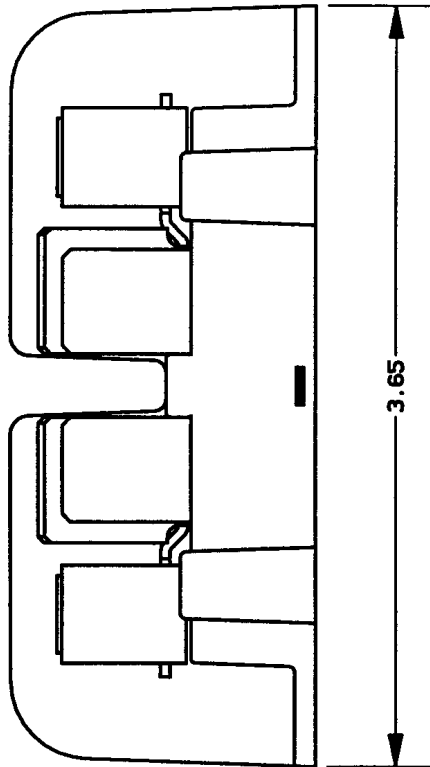
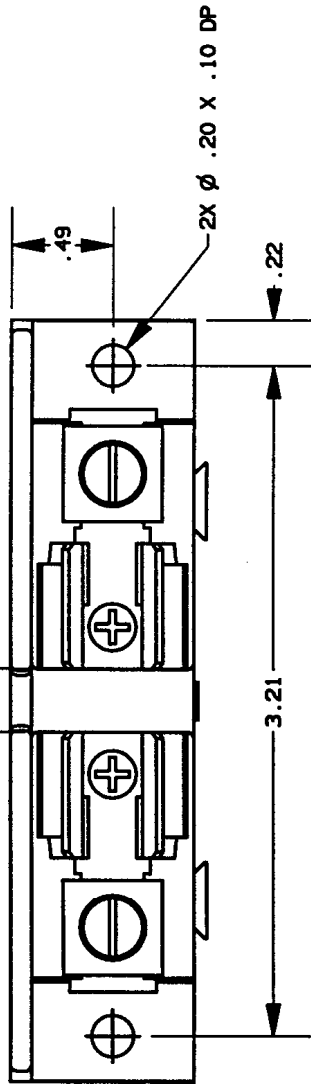


REV	DATE	ECO	DESCRIPTION	BY	CK	APP
-	27AUG97	N/A	INITIAL RELEASE	PRR	N/A	N/A



NOTES:
 1. TOLERANCES ± .015 UNLESS OTHERWISE SPECIFIED.
 2. MATERIAL COMPOSITION AND RATING THERMOPLASTIC - 125°C RTI.

P/N	CONN TYPE	RMS SYM RATING	TORQUE (IN-LBS)	WIRE °C	TYPE	U/L FILE NO.	CSA REPORT NO.
30305T	AL BOX	200K	35	60/75	CU-AL	ES2283 IZLT	LR32169

GOULD
 374 MERRIMAC STREET
 NEWBURYPORT, MA 01950

PRODUCT MANAGER
 SIGN: *Michael D. ...*
 DATE: 9-15-97

DESIGN ENGINEER
 SIGN: *Henry M. Borg*
 DATE: 9/12/97

FUSE BLOCK, 300V-30A, ADDER CLASS T

OUTLINE DIMENSIONS
 NOT TO BE USED FOR PRODUCTION

700198