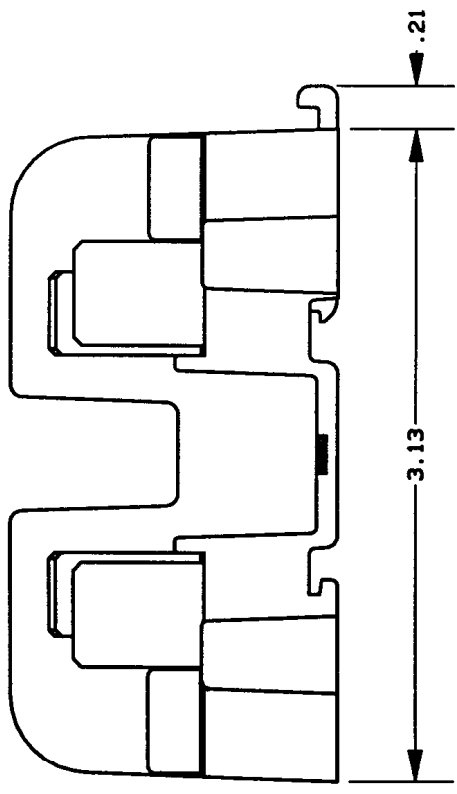
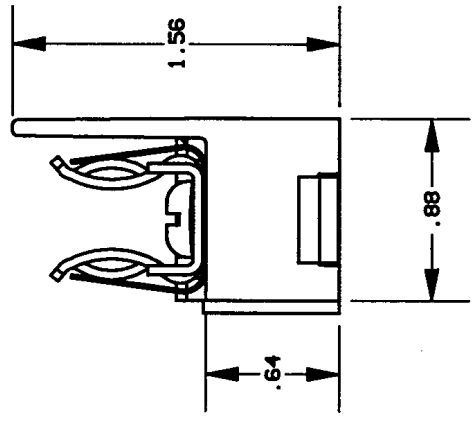
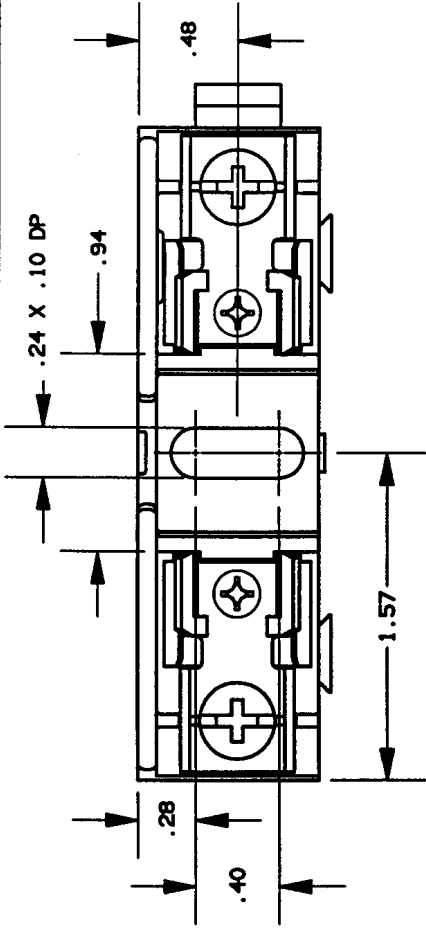


REV	DATE	ECO	DESCRIPTION	BY	CHK	APP
-	26AUG97	N/A	INITIAL RELEASE	PRR	N/A	N/A



NOTES:
 1. TOLERANCES \pm .015 UNLESS OTHERWISE SPECIFIED.
 2. MATERIAL COMPOSITION AND RATING THERMOPLASTIC-125°C RTI.

P/N	CONN TYPE	RMS SYM RATING	TORQUE (IN-LBS)	WIRE	U/L	CSA
60315T	SCREW	200K	20	60/75 CU ONLY	ES2283 IZLT	LR32169

GOULD
 374 MERRIMAC STREET
 NEWBURYPORT, MA 01950

GOULD
 PRODUCT MANAGER
 SIGN: *Nicholas P. DeLuca*
 DATE: 9-15-97

DESIGN ENGINEER
 SIGN: *Steve M. Pears*
 DATE: 9/12/97

FUSE BLOCK, 600V-30A, ADDER CLASS T

OUTLINE DIMENSIONS
 NOT TO BE USED FOR PRODUCTION

700223