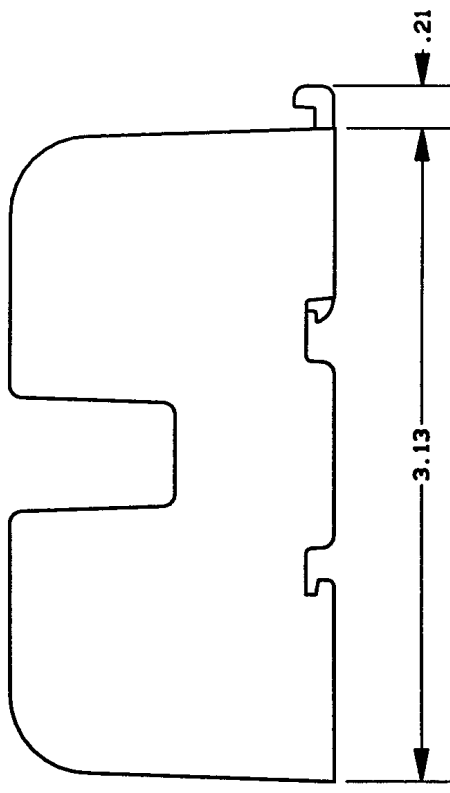
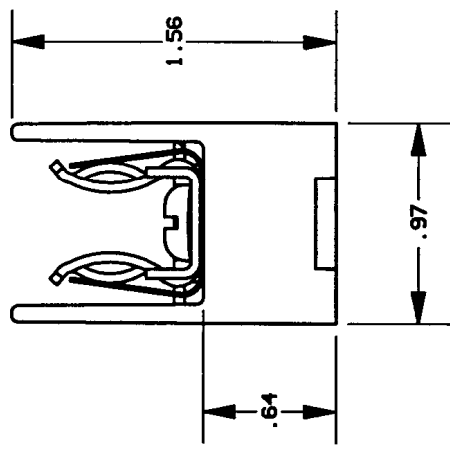
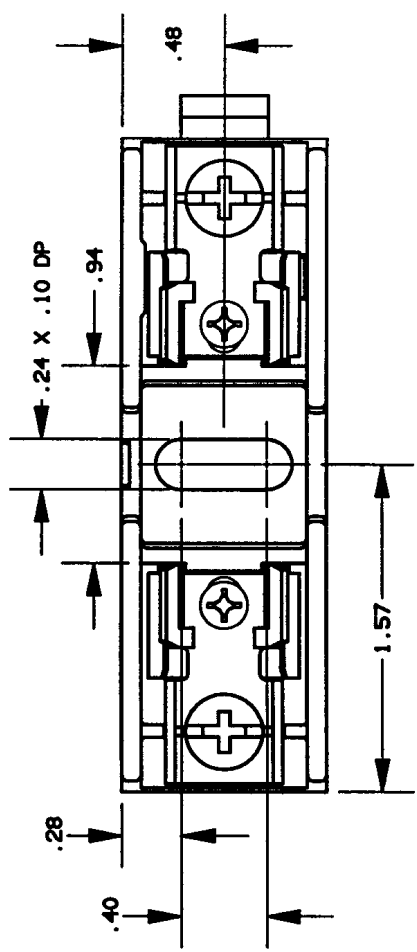


REV	DATE	ECO	DESCRIPTION	BY	CK	APP
-	26AUG97	N/A	INITIAL RELEASE	PRR	N/A	N/A



NOTES:
 1. TOLERANCES ±.015 UNLESS OTHERWISE SPECIFIED.
 2. MATERIAL COMPOSITION AND RATING THERMOPLASTIC-125°C RTI.

P/N	CONN TYPE	RMS SYM RATING	TORQUE (IN-LBS)	WIRE	U/L	CSA	
			°C	FILE NO.	GUIDE NO.	REPORT NO.	
60316T	SCREW	200K	20	60/75	ES2283	IZLT	LR32169

GOULD
 374 MERRIMAC STREET
 NEWBURYPORT, MA 01950

PRODUCT MANAGER
 SIGN: *Michael Smith*
 DATE: 9-15-97

FUSE BLOCK, 600V-30A, 1 POLE CLASS T

OUTLINE DIMENSIONS
 NOT TO BE USED FOR PRODUCTION

700224