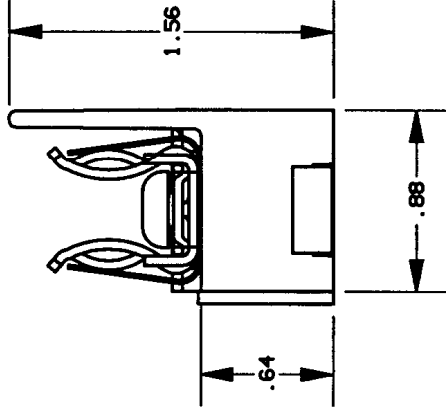
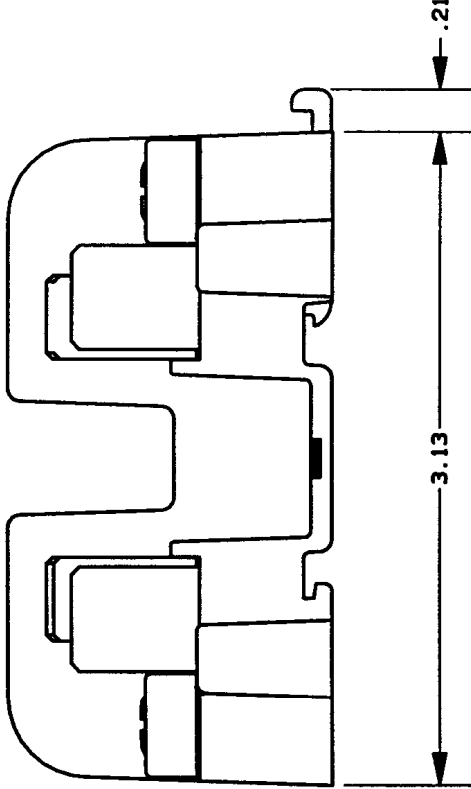
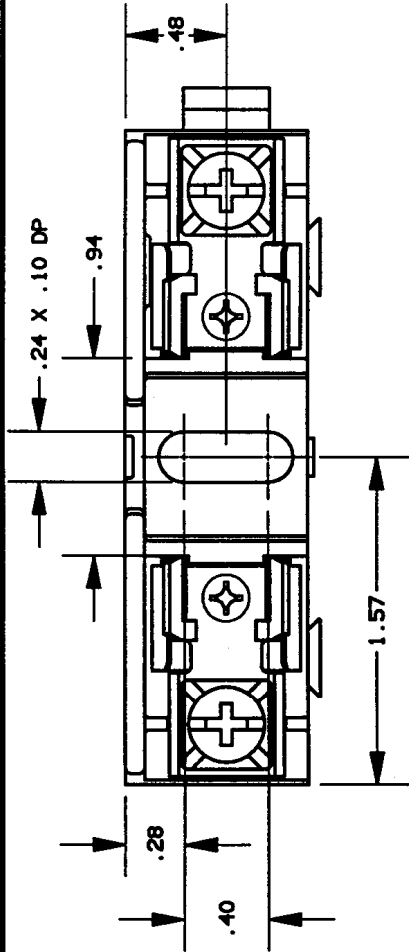


REV	DATE	ECO	DESCRIPTION	BY	CHK	APP
-	26AUG97	N/A	INITIAL RELEASE	PRR	N/A	N/A



P/N	CONN TYPE	RMS SYM RATING	TORQUE (IN-LBS)	WIRE	U/L	CSA
60325T	PRESSURE PLATE	200K	20	60/75 CU ONLY	ES2283	LR32169
					FILE NO.	REPORT NO.
					IZLT	

NOTES:
 1. TOLERANCES \pm .015 UNLESS OTHERWISE SPECIFIED.
 2. MATERIAL COMPOSITION AND RATING THERMOPLASTIC-125°C RTI.

GOULD 374 MERRIMAC STREET
 NEWBURYPORT, MA 01950

PRODUCT MANAGER: *Michael D. ...*
 DESIGN ENGINEER: *Steve M. ...*

SIGN: *Michael D. ...* DATE: 9-15-97
 SIGN: *Steve M. ...* DATE: 9/12/97

FUSE BLOCK, 600V-30A, ADDER CLASS T

OUTLINE DIMENSIONS NOT TO BE USED FOR PRODUCTION

700227