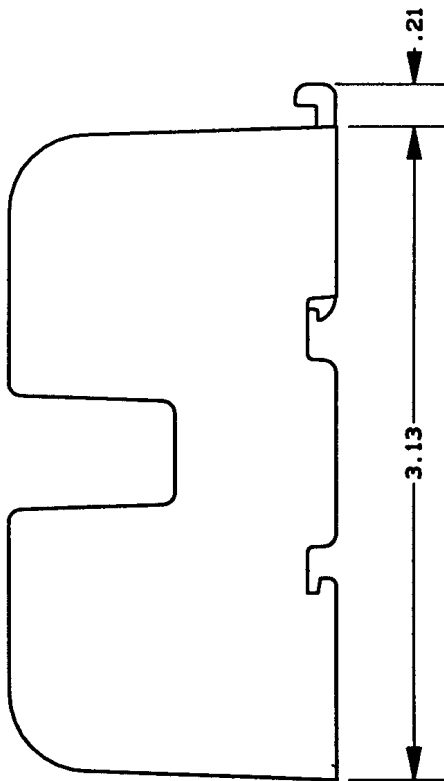
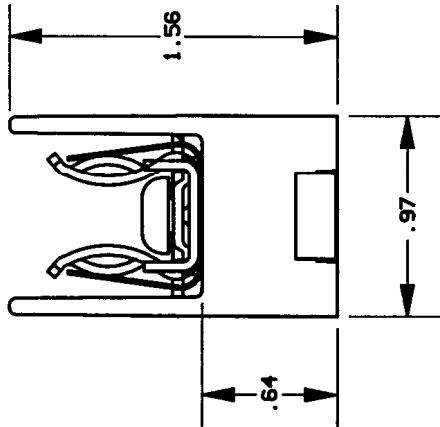
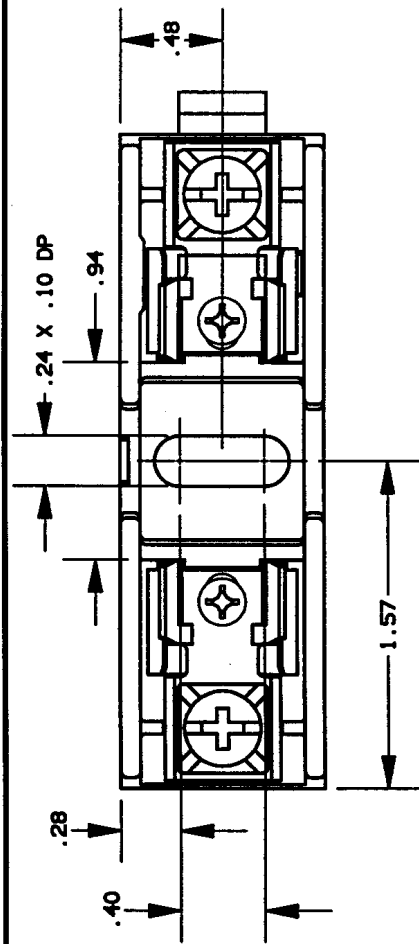


REV	DATE	ECO	DESCRIPTION	BY	CK	APP
-	26AUG97	N/A	INITIAL RELEASE	PRR	N/A	N/A



NOTES:  
 1. TOLERANCES ±.015 UNLESS OTHERWISE SPECIFIED.  
 2. MATERIAL COMPOSITION AND RATING THERMOPLASTIC-125°C RTI.

P/N	CONN TYPE	RMS SYM RATING	TORQUE (IN-LBS)	WIRE °C	TYPE	FILE NO.	U/L	GUIDE NO.	CSA REPORT NO.
60326T	PRESSURE PLATE	200K	20	60/75	CU ONLY	E52283	IZLT	LR32169	

**GOULD**  
 374 MERRIMAC STREET  
 NEWBURYPORT, MA 01950

PRODUCT MANAGER: *Richard Zick*  
 SIGN: *Richard Zick* DATE: 9-15-97

DESIGN ENGINEER: *Steve M. Boy*  
 SIGN: *Steve M. Boy* DATE: 9/13/97

FUSE BLOCK, 600V-30A, 1 POLE CLASS T

OUTLINE DIMENSIONS NOT TO BE USED FOR PRODUCTION

700228