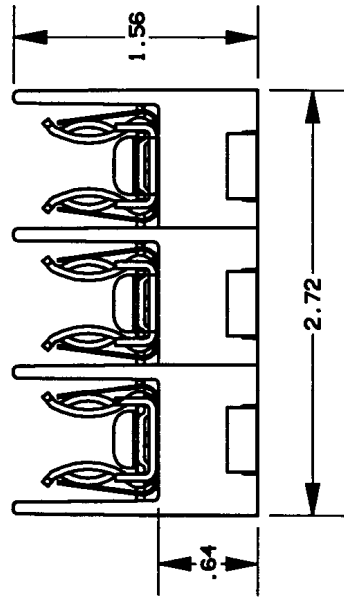
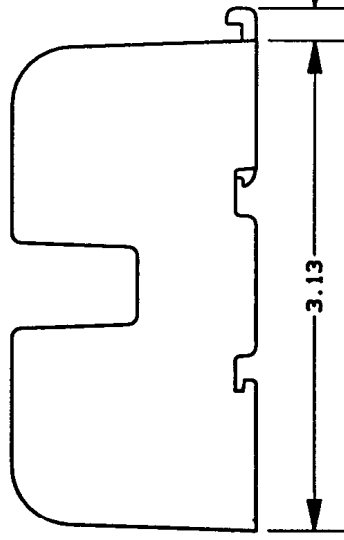
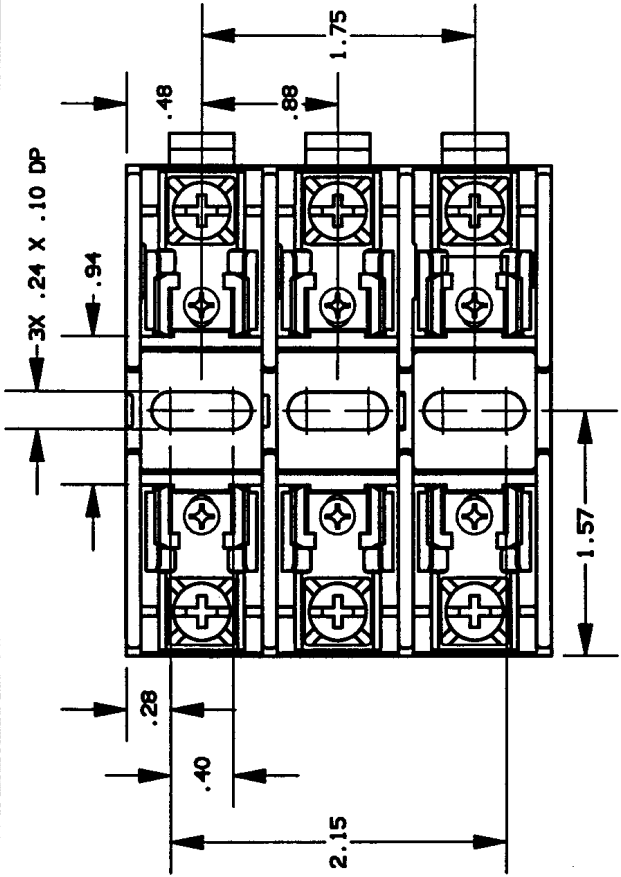


REV	DATE	ECO	DESCRIPTION	BY	CK APP
-	26AUG97	N/A	INITIAL RELEASE	PRR	N/A/N/A



NOTES:
 1. TOLERANCES \pm .015 UNLESS OTHERWISE SPECIFIED.
 2. MATERIAL COMPOSITION AND RATING THERMOPLASTIC-125°C RTI.

P/N	CONN TYPE	RMS SYM RATING	TORQUE (IN-LBS)	WIRE	U/L	FILE NO.	GUIDE NO.	CSA	REPORT NO.
	60328T								

GOULD 374 MERRIMAC STREET
 NEWBURYPORT, MA 01950

SIGN: *Michael T. La* DATE: 9-15-97
 DESIGN ENGINEER SIGN: *Stk M. Boy* DATE: 9/12/97

FUSE BLOCK, 600V-30A, 3 POLE CLASS T

OUTLINE DIMENSIONS NOT TO BE USED FOR PRODUCTION

700230