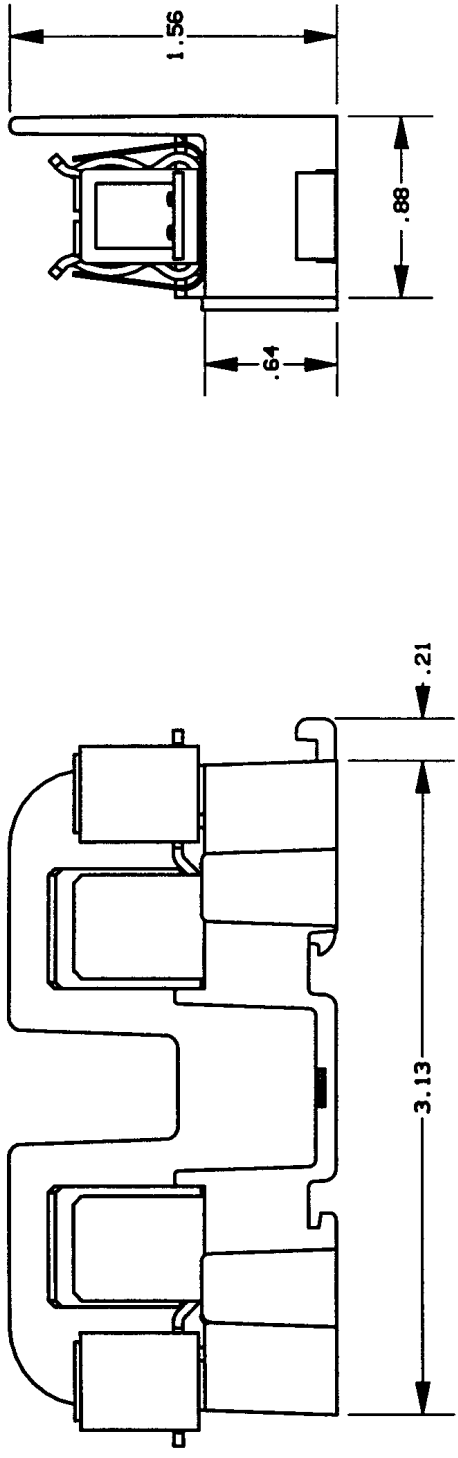
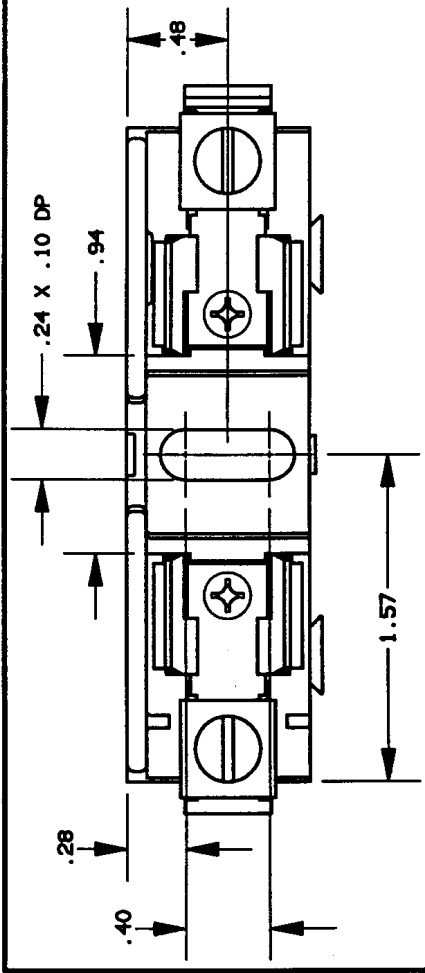


REV	DATE	ECO	DESCRIPTION	BY	CK	APP
-	26AUG97	N/A	INITIAL RELEASE	PRR	N/A	N/A



P/N	CONN TYPE	RMS SYM RATING	TORQUE (IN-LBS)	WIRE °C	TYPE	FILE NO.	U/L	GUIDE NO.	CSA REPORT NO.
60355T	CU BOX	200K	35	60/75	CU ONLY	E52283	IZLT		LR32169

NOTES:
 1. TOLERANCES ±.015 UNLESS OTHERWISE SPECIFIED.
 2. MATERIAL COMPOSITION AND RATING THERMOPLASTIC-125°C RTI.

GOULD
 374 MERRIMAC STREET
 NEWBURYPORT, MA 01950

PRODUCT MANAGER: *Michael R. Lee*
 SIGN: *M. R. Lee*
 DATE: 9-15-97

DESIGN ENGINEER
 SIGN: *M. R. Lee*
 DATE: 7/12/97

FUSE BLOCK, 600V-30A, ADDER CLASS T

OUTLINE DIMENSIONS NOT TO BE USED FOR PRODUCTION

700235