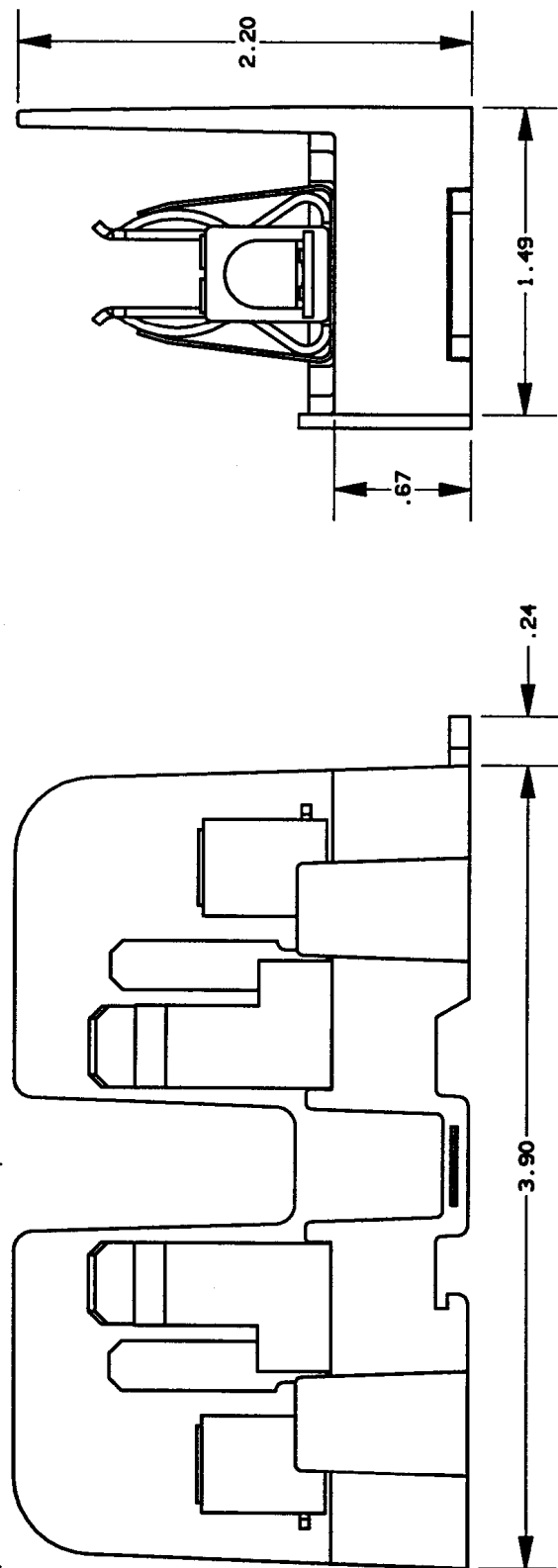
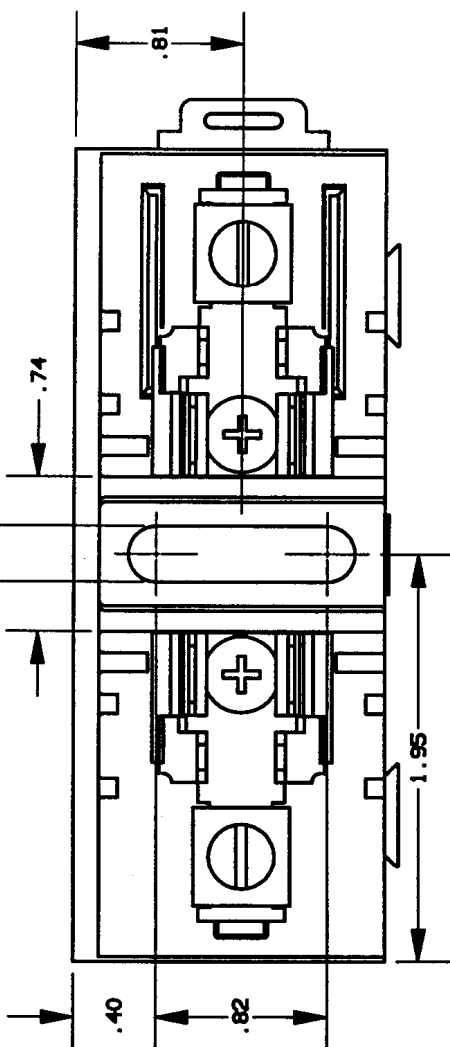


REV	DATE	ECO	DESCRIPTION	BY	CK	APP
-	27AUG97	N/A	INITIAL RELEASE	PRR	N/A	N/A



NOTES:  
 1. TOLERANCES  $\pm$  .015 UNLESS OTHERWISE SPECIFIED.  
 2. MATERIAL COMPOSITION AND RATING THERMOPLASTIC-125°C RTI.

P/N	CONN TYPE	RMS SYM RATING	TORQUE (IN-LBS)	WIRE °C	TYPE	FILE NO.	U/L	CSA REPORT NO.
60605T	AL BOX	200K	45	60/75	CU-AL	E52283	IZLT	LR32169

**GOULD**  
 374 MERRIMAC STREET  
 NEWBURYPORT, MA 01950

**PRODUCT MANAGER**  
 SIGN: *Richard D. B...*  
 DATE: 9-15-97

**DESIGN ENGINEER**  
 SIGN: *Steve M. Lopez*  
 DATE: 9/12/97

**FUSE BLOCK, 600V-60A, ADDER CLASS T**

OUTLINE DIMENSIONS  
 NOT TO BE USED FOR PRODUCTION

700067