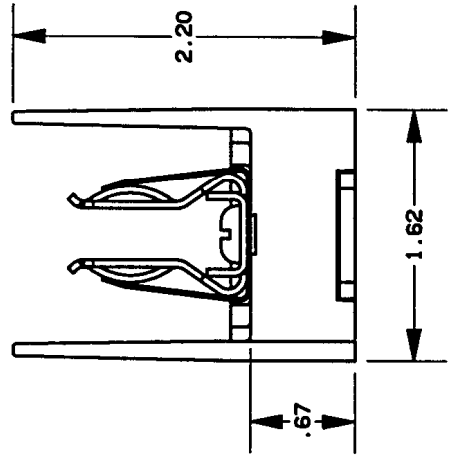
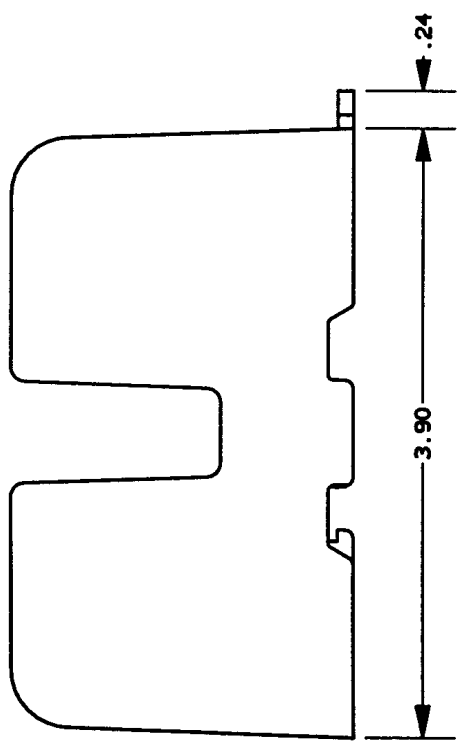
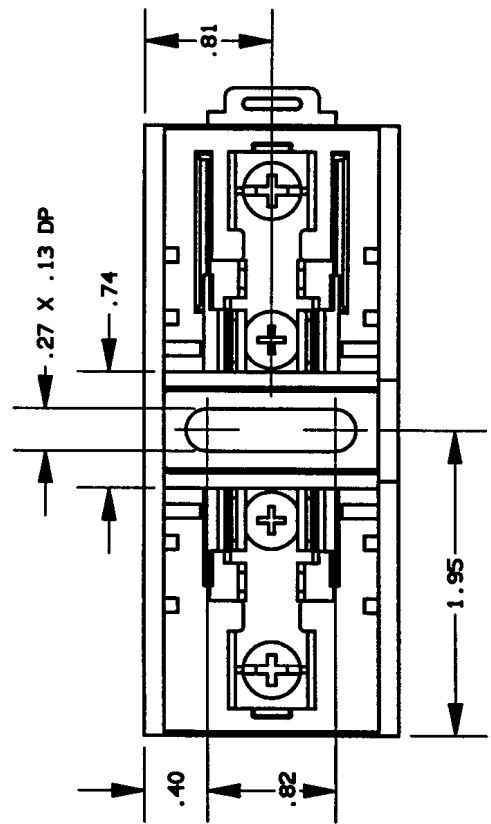


REV	DATE	ECO	DESCRIPTION	BY	CHK APP
-	27AUG97	N/A	INITIAL RELEASE	PRR	N/A/N/A



P/N	60616T	CONN TYPE	SCREW	RMS SYM RATING	200K	TORQUE (IN-LBS)	20	WIRE		U/L	FILE NO.	E52283	GUIDE NO.	I7LT2	CSA REPORT NO.	LR32169
								•C	60/75							

NOTES:
 1. TOLERANCES ±.015 UNLESS OTHERWISE SPECIFIED.
 2. MATERIAL COMPOSITION AND RATING THERMOPLASTIC-125°C RTI.

GOULD
 374 MERRIMAC STREET
 NEWBURYPORT, MA 01950

PRODUCT MANAGER
 SIGN: *Michael Dill*
 DATE: 9-15-97

DESIGN ENGINEER
 SIGN: *St. M. By*
 DATE: 9/12/97

FUSE BLOCK, 600V-60A, 1 POLE CLASS T

OUTLINE DIMENSIONS
 NOT TO BE USED FOR PRODUCTION

700063