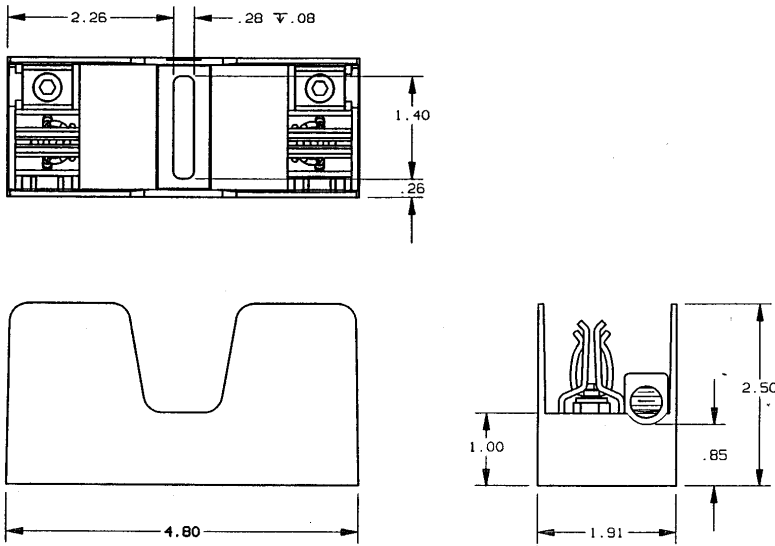


REV	DATE	ECO	DESCRIPTION	BY	CK	APP
-	5-25-05	NA	INITIAL RELEASE	LDB	NA	NA



P/N	CONN TYPE	RMS SYM RATING	WIRE TORQUE (IN-LBS)	WIRE		U/L		CSA
				°C	TYPE	FILE NO.	GUIDE NO.	REPORT NO.
61006SJ	AL BOX	200K	100 AL WIRE 60 CU WIRE	60/75	CU-AL	E52283	IZLT	LR32169

Ferraz Shawmut
 FERRAZ SHAWMUT INC.
 374 MERRIMAC STREET
 NEWBURYPORT, MA 01950

PRODUCT MANAGER: *[Signature]*
 SIGN: *[Signature]*
 DATE: 10-11-05

DESIGN ENGINEER: *[Signature]*
 SIGN: *[Signature]*
 DATE: 10/18/05

FUSE BLOCK
 CLASS J (1) POLE
 100A 600V

OUTLINE DIMENSIONS
 NOT TO BE USED FOR PRODUCTION

701184