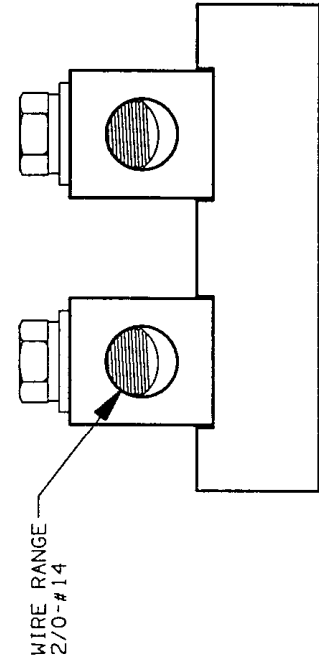
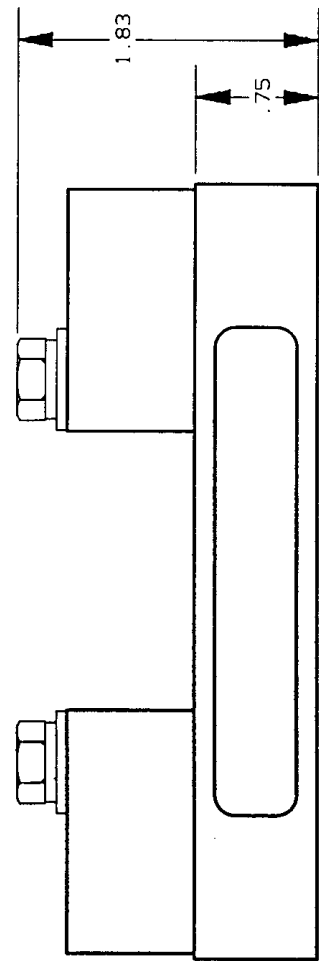
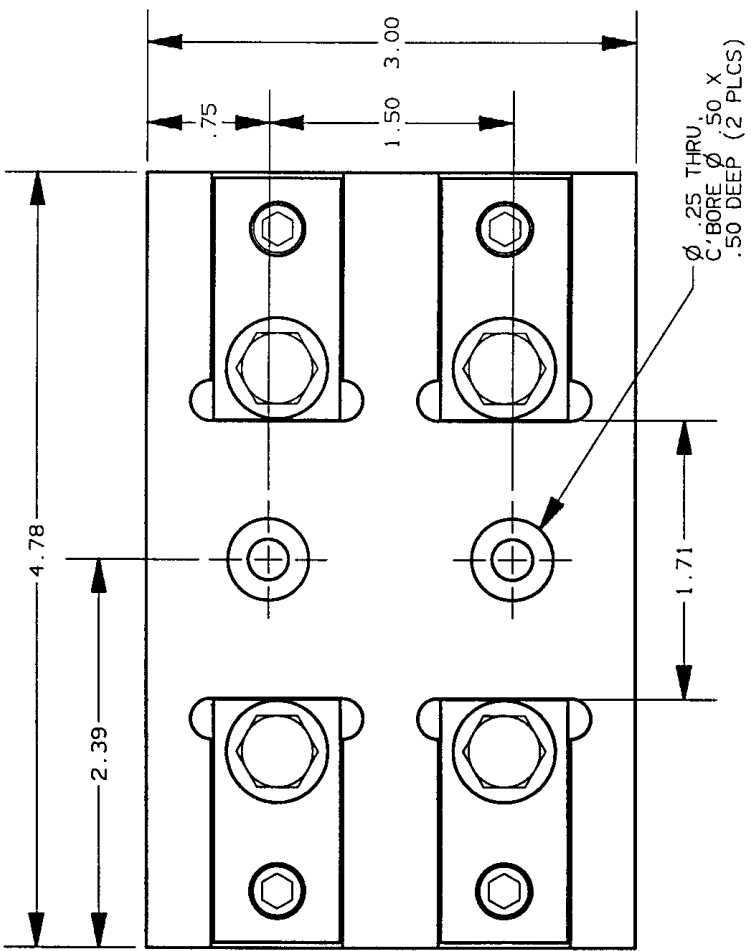


CONTROL NO: 700269

REV	DATE	ECO	DESCRIPTION	BY	CK	APP
-	6-10-97	N/A	INIT RELEASE			
						DBG N/A N/A



NOTES:

- UNLESS OTHERWISE SPECIFIED MATERIAL COMPOSITION AND RATING: BASE - THERMOSET 150°C RTI CONNECTOR-ALUMINUM, TIN PLATED.

P/N	FUSE CLASS	RMS SYM RATING	TORQUE (IN-LBS)	CONNECTOR TYPE	WIRE	UL	CSA
61032T	T	200K	120	BOX	75 CU-AL	FILE NO. E52283 IZLT	REPORT NO. LR32169

GOULD 374 MERRIMAC STREET
NEWBURYPORT, MA 01950

PRODUCT MANAGER: *Richard D. Baker*
DESIGN ENGINEER: *Steve M. Boyer*

SIGN: *Richard D. Baker* DATE: 6-16-97
SIGN: *Steve M. Boyer* DATE: 5/11/97

FUSE, BLOCK 600V-100A
CLASS T
2 POLE

OUTLINE DIMENSIONS
NOT TO BE USED FOR PRODUCTION

700269