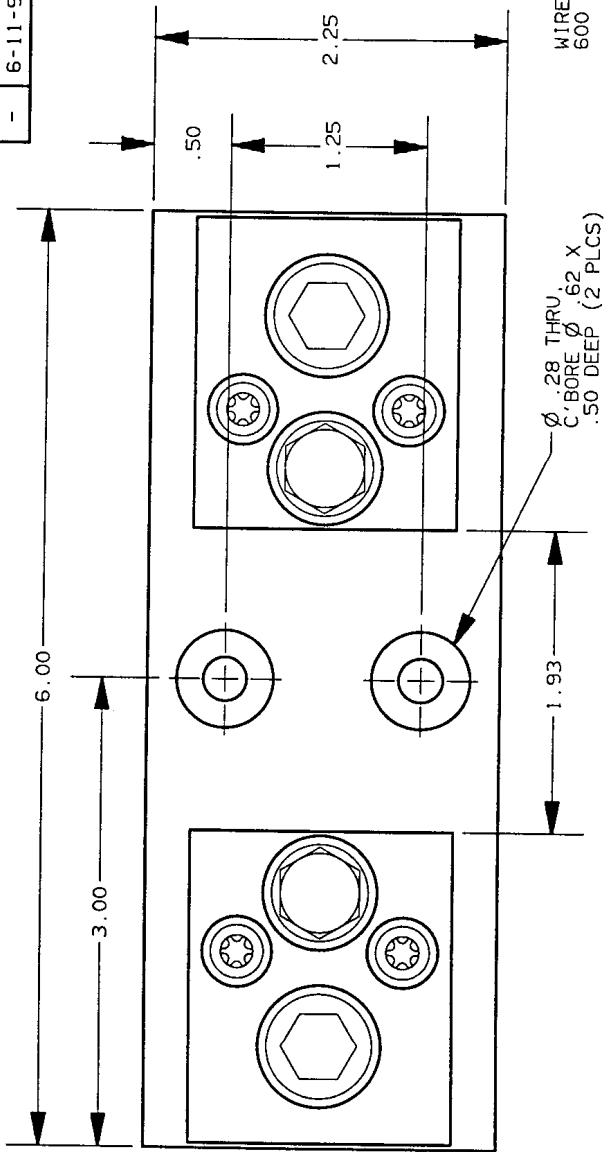
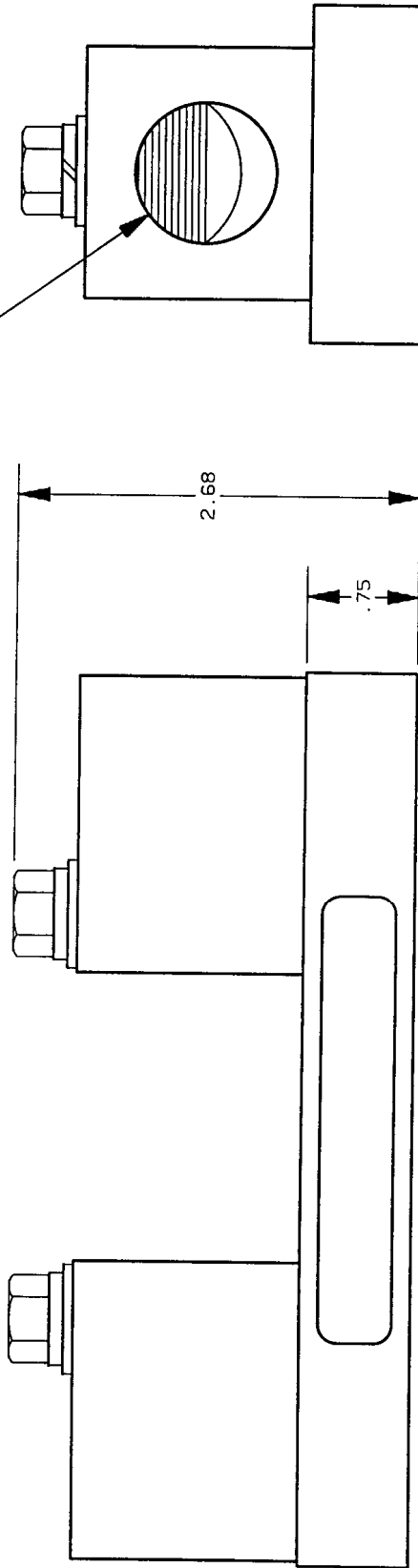


REV	DATE	ECO	DESCRIPTION	BY	CK	APP
-	6-11-97	N/A	INIT RELEASE	DBG	N/A	N/A



WIRE RANGE
600 Kcmil-#2



NOTES:

- UNLESS OTHERWISE SPECIFIED MATERIAL COMPOSITION AND RATING: BASE - THERMOSET 150°C RTI CONNECTOR-COPPER, TIN PLATED.

P/N	FUSE CLASS	RMS SYM RATING	TORQUE (IN-LBS)	CONNECTOR TYPE	WIRE °C	UL FILE NO.	CSA REPORT NO.
64051T	T	200K	375	BOX	75	CU ONLY E52283 IZLT	LR32169



374 MERRIMAC STREET
NEWBURYPORT, MA 01950

PRODUCT MANAGER

DESIGN ENGINEER

SIGN: *Michael*

SIGN: *St. M. B.*

DATE: 6-16-97

DATE: 6/1/97

FUSE, BLOCK 600V-400A
CLASS T
1 POLE

OUTLINE DIMENSIONS
NOT TO BE USED FOR PRODUCTION

700263