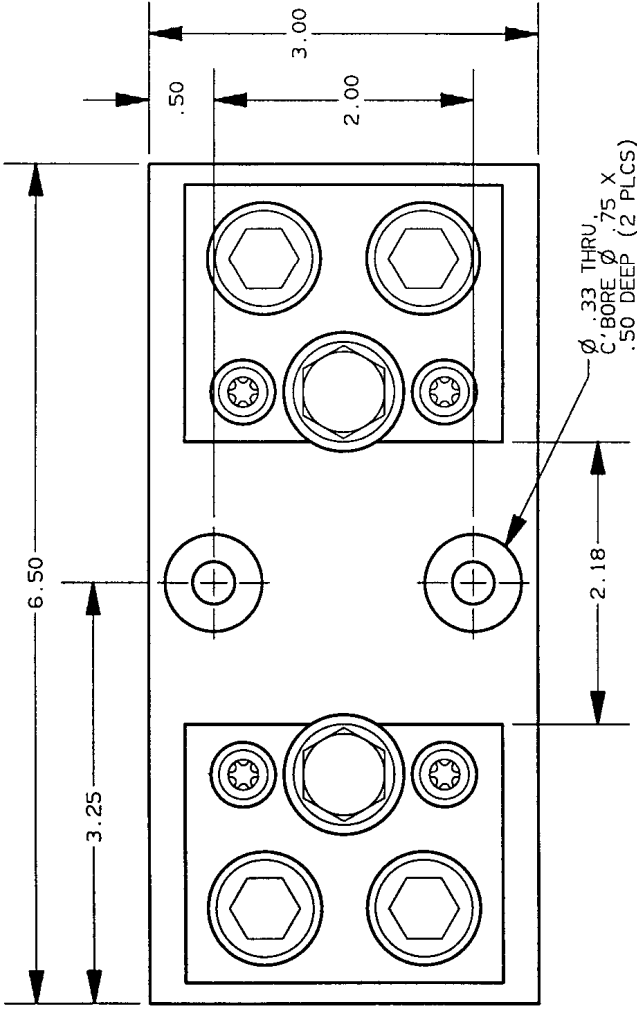
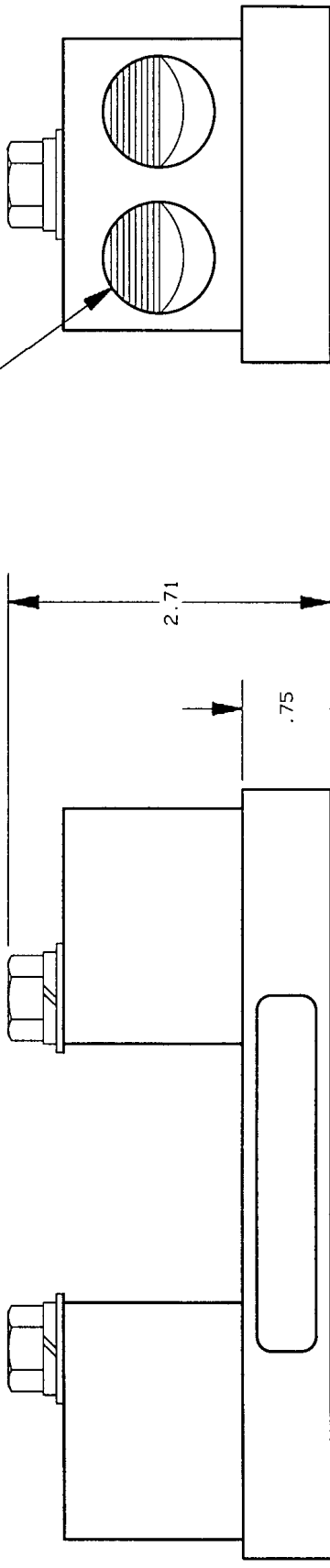


REV	DATE	ECO	BY	CK	APP
-	6-11-97	N/A		GCT	N/A
DESCRIPTION			INIT RELEASE		



Ø .33 THRU .75 X
C-BORE Ø .75 X
.50 DEEP (2 PLCS)

WIRE RANGE
600 Kcmil-#2



NOTES:

- UNLESS OTHERWISE SPECIFIED MATERIAL COMPOSITION AND RATING: BASE - THERMOSET 150°C RTI CONNECTOR-ALUMINUM, TIN PLATED.

P/N	FUSE CLASS	RMS SYM RATING	TORQUE (IN-LBS)	CONNECTOR TYPE	WIRE	UL	CSA
66031T	T	200K	600	BOX	*C 75	FILE NO. E52283	REPORT NO. LR32169
					CU-AL	IZLT	

GOULD 374 MERRIMAC STREET
NEWBURYPORT, MA 01950

PRODUCT MANAGER
SIGN: *Richard DeL...*
DATE: 6-17-97

FUSE, BLOCK 600V-600A
CLASS T
1 POLE

OUTLINE DIMENSIONS
NOT TO BE USED FOR PRODUCTION

700058