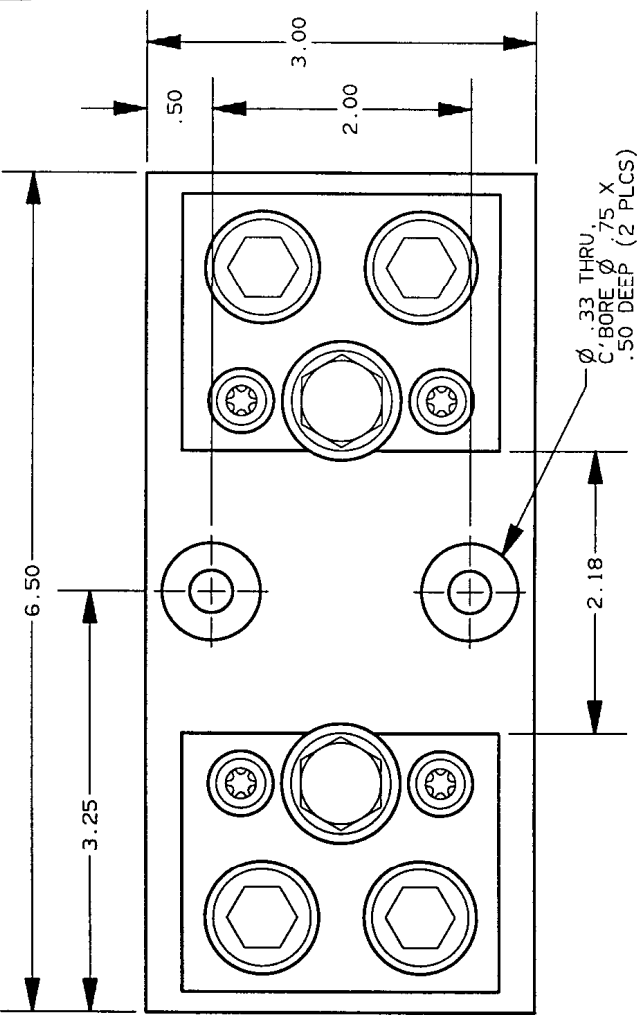
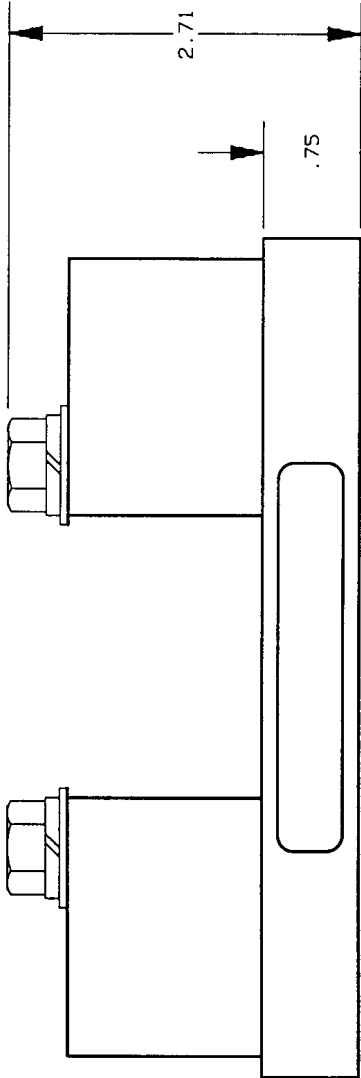
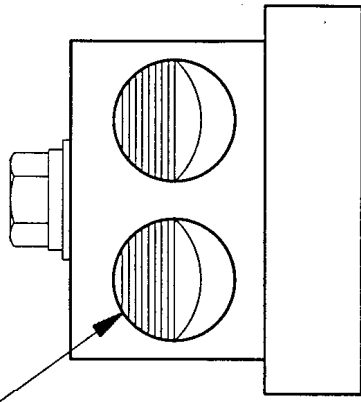


REV	DATE	ECO	DESCRIPTION	BY	CK APP
-	6-11-97	N/A	INIT RELEASE	DBG	N/A



Ø .33 THRU,
C BORE Ø .75 X
.50 DEEP (2 PLCS)

WIRE RANGE
600 Kcmil - #2



NOTES:

1. UNLESS OTHERWISE SPECIFIED MATERIAL COMPOSITION AND RATING: BASE - THERMOSET 150°C RTI CONNECTOR-COPPER, TIN PLATED.

P/N	FUSE CLASS	RMS SYM RATING	TORQUE (IN-LBS)	CONNECTOR TYPE	WIRE		UL FILE NO.	UL GUIDE NO.	CSA REPORT NO.
					*C	TYPE			
66051T	T	200K	375	BOX	75	CU ONLY	E52283	IZLT	LR32169

GOULD 374 MERRIMAC STREET
NEWBURYPORT, MA 01950

PRODUCT MANAGER: *Michael A. ...*
DESIGN ENGINEER: *John M. ...*
SIGN: *John M. ...* DATE: 6/17/97

FUSE, BLOCK 600V-600A
CLASS T
1 POLE

OUTLINE DIMENSIONS
NOT TO BE USED FOR PRODUCTION

700267