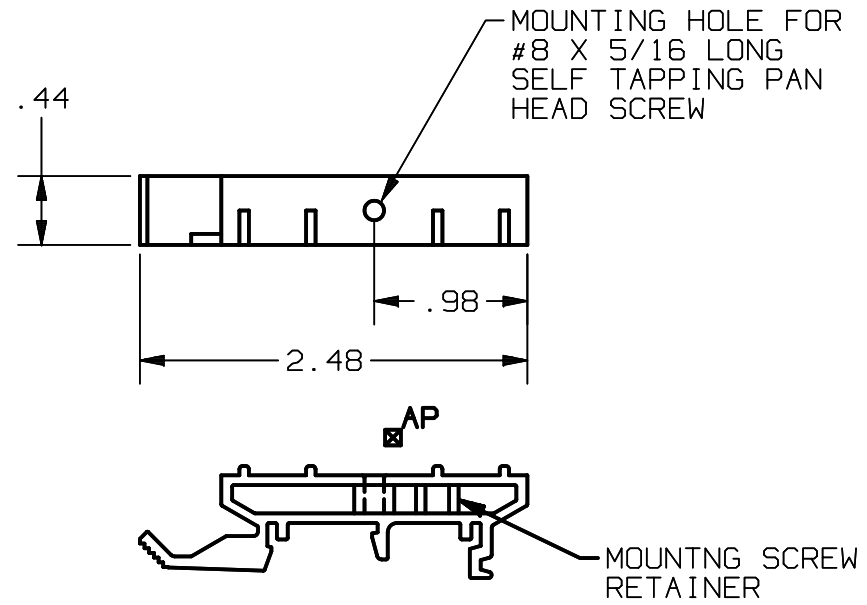


U0 8/91 UNRELEASED  
00 12/92 RELEASED PER ECO



P/N DRM

- NOTES: UNLESS OTHERWISE SPECIFIED  
1. ADAPTER, DIN RAIL TO MIDGET W/SCREW  
2. ADAPTS 303 SERIES FUSE HOLDERS TO 35mm TOP HAT AND "G" RAILS.  
3. MATERIAL: THERMOPLASTIC

KDS 12/92 92-162  
GHO 12/92  
ADAPTER, DIN RAIL 05A0357 00