



MERSEN USA NEWBURYPORT-MA, LLC
374 MERRIMAC STREET
NEWBURYPORT, MA 01950

TITLE

OUTLINE

CONT ON SH 2

SH 1

202A3079

UNLESS OTHERWISE SPECIFIED, TOLERANCES ARE

SURFACES ✓	2 PL DEC ±	3 PL DEC ±	ANGLES ± DEG
---------------	---------------	---------------	-----------------

FIRST MADE FOR CPO *Current Limiting Fuse Type EJ-2*

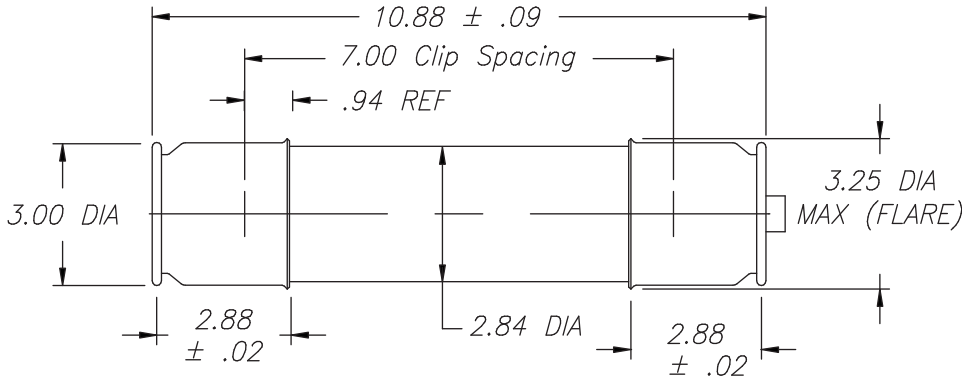


FIG 01

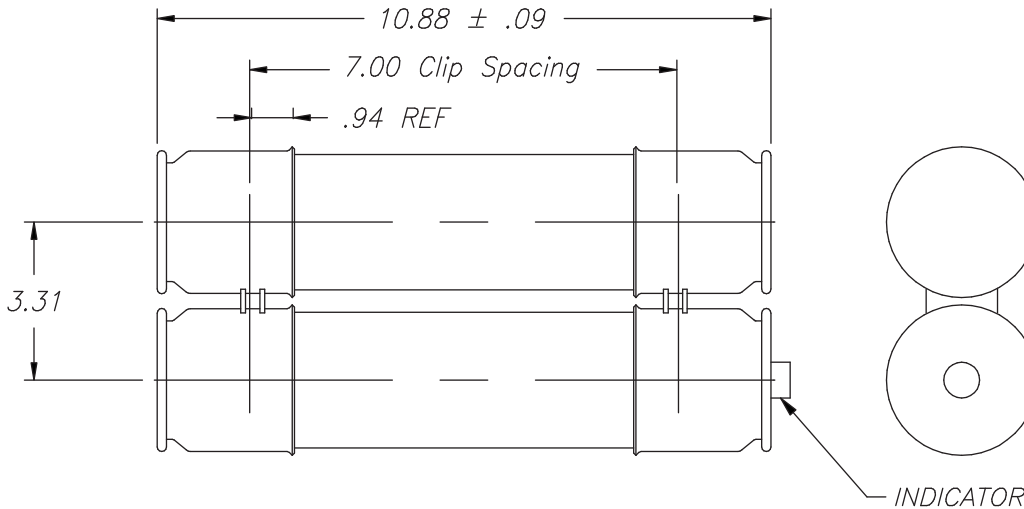


FIG 02 WITH DOUBLE FUSE
OTHERWISE SAME AS FIG 01

MODEL NO 9F60***	SIZE	FIG	MIN I/C AMPS	MAX KV	CURVE DESIGNATION
LCB502	D	01	195	2.54	2R
LCB503	D	01	270	2.54	3R
LCB504	D	01	370	2.54	4R
LCB506	D	01	580	2.54	6R

MODEL NO 9F60***	SIZE	FIG	MIN I/C AMPS	MAX KV	CURVE DESIGNATION
LCB509	D	01	820	2.54	9R
LCB512	D	01	1150	2.54	12R
MCB518	DD	02	1800	2.54	18R
MCB524	DD	02	2400	2.54	24R

NOTES:
2. MAXIMUM WIDTH FUSE CLIP = 1.50

REVISIONS	
14	T. Grant 8/31/01 Updated approval
13	K. Carroll 20-Nov-97 Updated Routing ECN #K77
12	K. Carroll 16-Sept-96 Traced into Acad Removed Note 1 (No ECN Ref) Added Min I/C & Max KV To Models in Table
11	C. DAVIS 04-Feb-92 Changed Model Numbers
10	G. DAVIS 31-July-91 RETRACED W/O CHG
CPO-V	
CPO-WEB	
PRINTS TO	

MADE BY: R. Wheller 5-Oct-72
ISSUED BY: K. Carroll 20-November-97

APPROVALS
Kris Ranjan
8/31/01

HICKORY
CPO

202A3079
CONT ON SH 2 SH 1