



MERSEN USA NEWBURYPORT-MA, LLC
374 MERRIMAC STREET
NEWBURYPORT, MA 01950

TITLE

OUTLINE

202A3080
CONT ON SH 3

SH 2

UNLESS OTHERWISE SPECIFIED, TOLERANCES ARE

SURFACES ✓	2 PL DEC ±	3 PL DEC ±	ANGLES ± DEG
---------------	---------------	---------------	-----------------

FIRST MADE FOR CPO

Current Limiting Fuse Type EJ-2

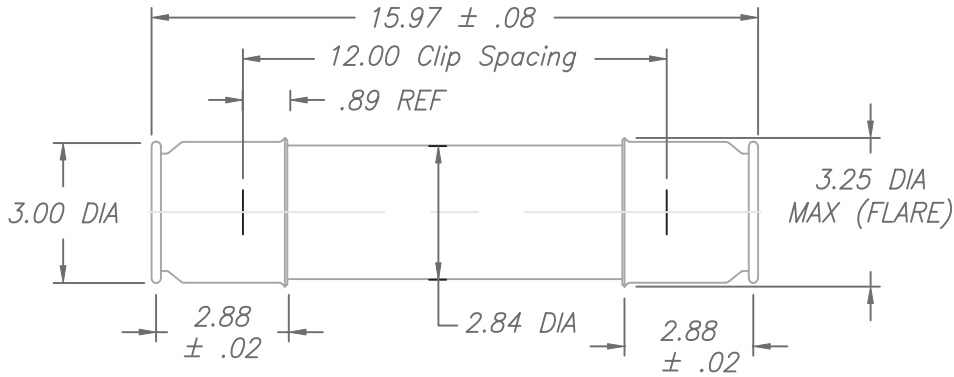


FIG 03

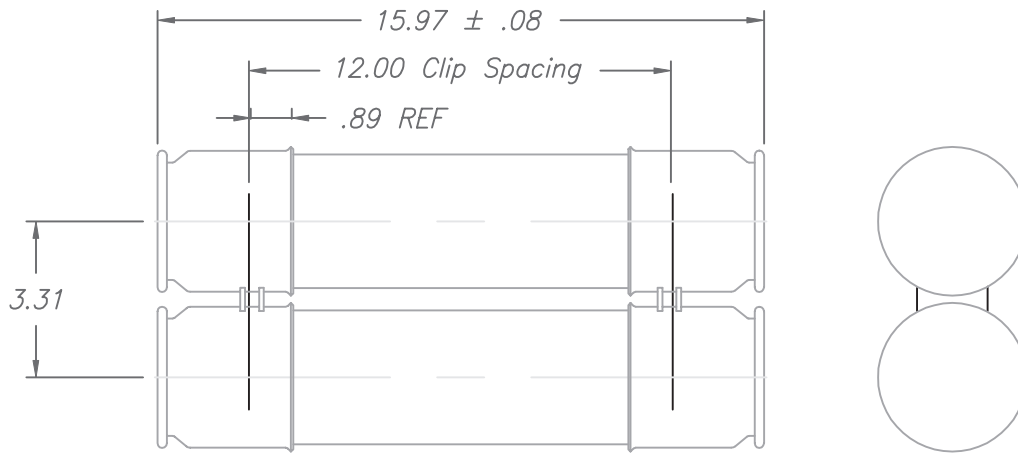


FIG 04 WITH DOUBLE FUSE
OTHERWISE SAME AS FIG 03

MODEL NO 9F60***	SIZE	FIG	MIN I/C AMPS	MAX KV	CURVE DESIGNATION
LJN302	D	03	195	5.08	2R
LJN303	D	03	270	5.08	3R
LJN304	D	03	370	5.08	4R
LJN306	D	03	580	5.08	6R

MODEL NO 9F60***	SIZE	FIG	MIN I/C AMPS	MAX KV	CURVE DESIGNATION
LJN309	D	03	820	5.08	9R
LJN312	D	03	1150	5.08	12R
MJN318	DD	04	1800	5.08	18R
MJN324	DD	04	2400	5.08	24R

NOTES:
2. MAXIMUM WIDTH FUSE CLIP = 1.50

REVISIONS

11	Converted to Acad Removed Indicator	12	Added Sheet 3 No ECN Ref
9	RETRACED W/O CHG	10	Changed Model Numbers
7	31-July-91 G. DAVIS	8	04-Feb-92 G. DAVIS
CPO-V		CPO-WEB	
PRINTS TO			

MADE BY: R. Wheller 5-Oct-72
ISSUED BY: K. Carroll 17-November-97

APPROVALS
Kris Ranjan
8/31/01

HICKORY
CPO

202A3080
CONT ON SH 3

SH 2