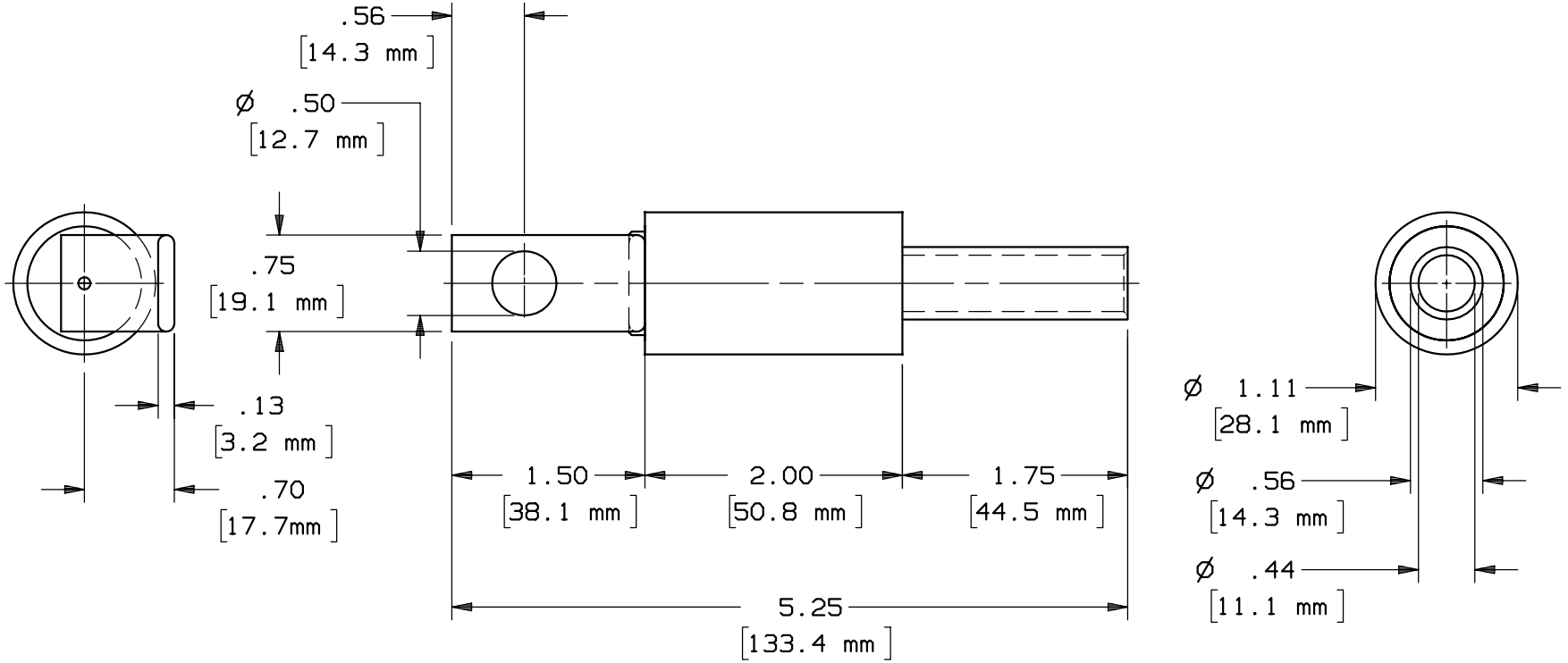



REV	DATE	ECO	DESCRIPTION	BY	CK	APP
-	8-27-03	NA	INITIAL RELEASE	KMH	NA	NA



 <p>MERSEN USA NEWBURYPORT-MA, LLC 374 MERRIMAC STREET NEWBURYPORT, MA 01950</p>	<p>CABLE PROTECTOR</p> <p>2CL20CF</p> <p>2/0 CABLE</p> <p>250 V</p>	<p>OUTLINE DIMENSIONS NOT TO BE USED FOR PRODUCTION</p>
		<p>700982</p>
<p>PRODUCT MANAGER</p> <p>SIGN:</p> <p>DATE:</p>	<p>DESIGN ENGINEER</p> <p>SIGN:</p> <p>DATE:</p>	