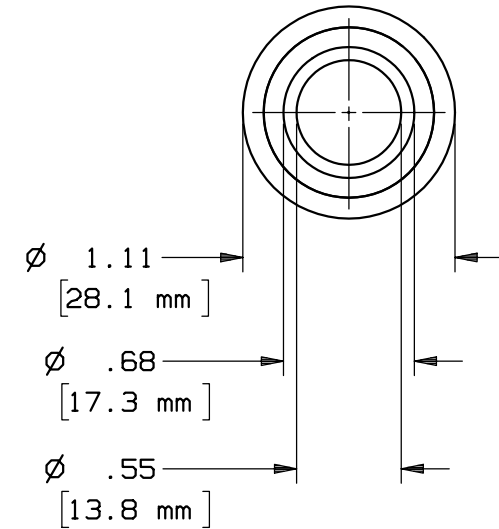
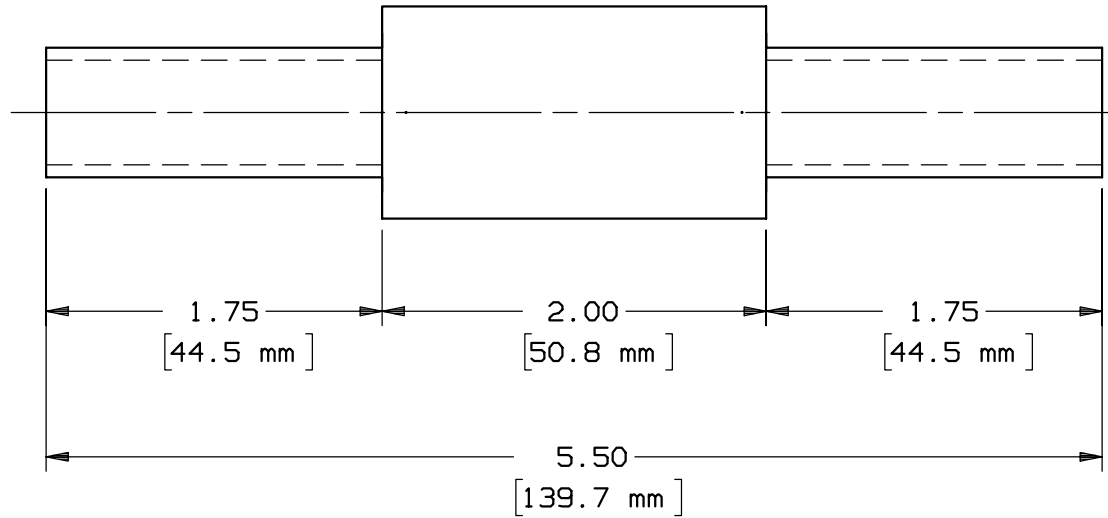


REV	DATE	ECO	DESCRIPTION	BY	CK	APP
-	8-27-03	NA	INITIAL RELEASE	KMH	NA	NA



MERSEN USA NEWBURYPORT-MA, LLC
 374 MERRIMAC STREET
 NEWBURYPORT, MA 01950

CABLE PROTECTOR

2CL40CC

4/0 CABLE

250 V

OUTLINE DIMENSIONS
 NOT TO BE USED FOR PRODUCTION

700981

PRODUCT MANAGER

DESIGN ENGINEER

SIGN:

SIGN:

DATE:

DATE: