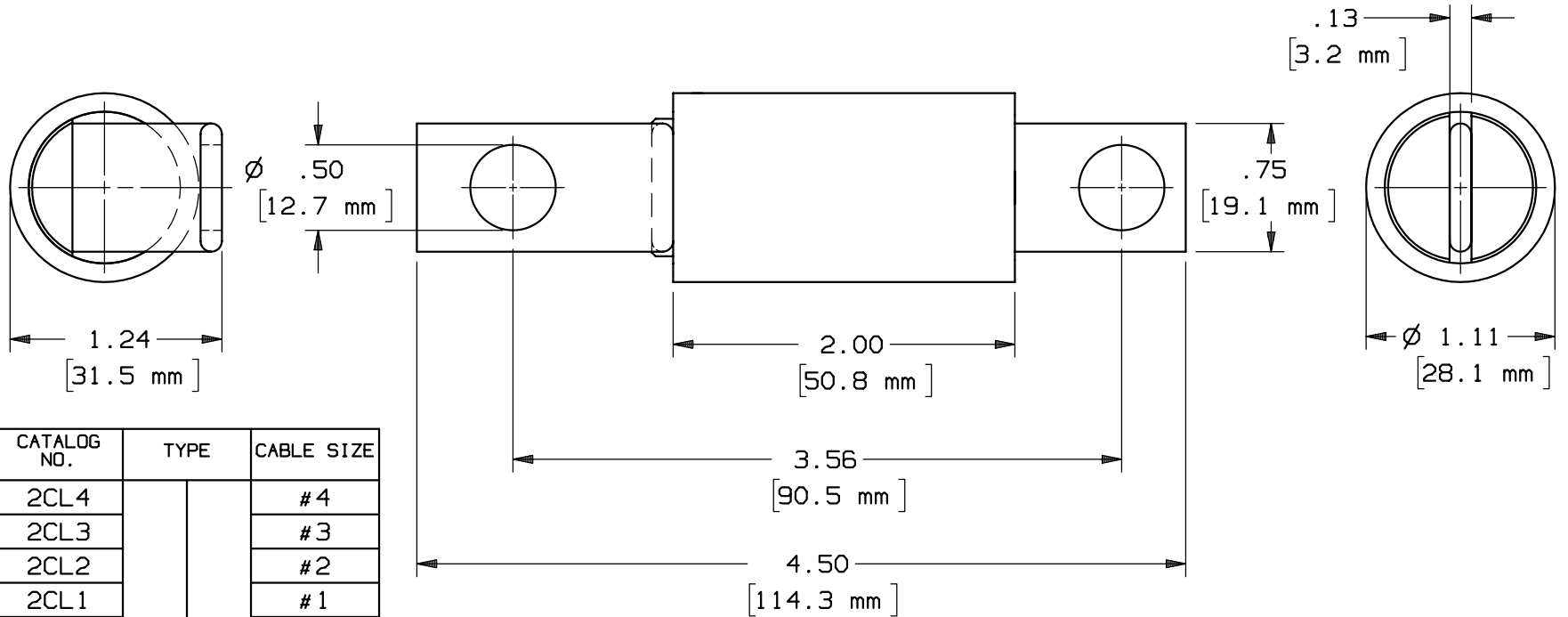


REV	DATE	ECO	DESCRIPTION	BY	CK	APP
-	8-23-01	NA	INITIAL RELEASE	KMH	NA	NA



CATALOG NO.	TYPE	CABLE SIZE
2CL4	BF BF-S	#4
2CL3		#3
2CL2		#2
2CL1		#1
2CL10		1/0
2CL20		2/0
2CL30		3/0
2CL40		4/0
2CL250		250MCM
2CL350		350MCM



MERSEN USA NEWBURYPORT-MA, LLC  
 374 MERRIMAC STREET  
 NEWBURYPORT, MA 01950

PRODUCT MANAGER

DESIGN ENGINEER

SIGN:  
DATE:

SIGN:  
DATE:

CABLE LIMITER  
 250 VOLT  
 2CL(4 - 350)BF, BF-S

OUTLINE DIMENSIONS  
 NOT TO BE USED FOR PRODUCTION

700726