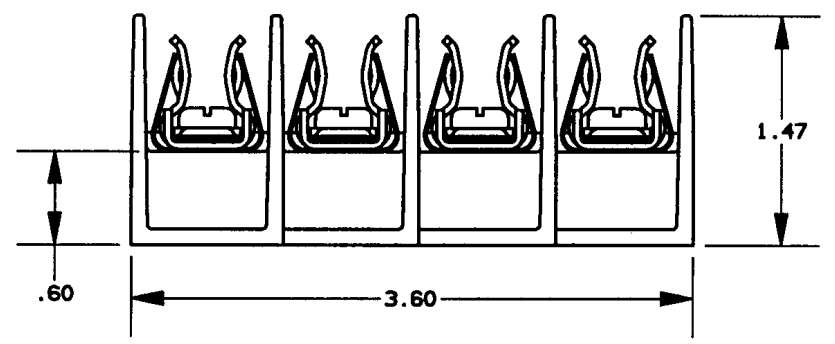
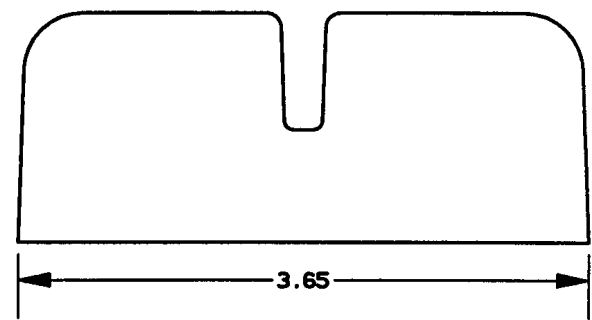
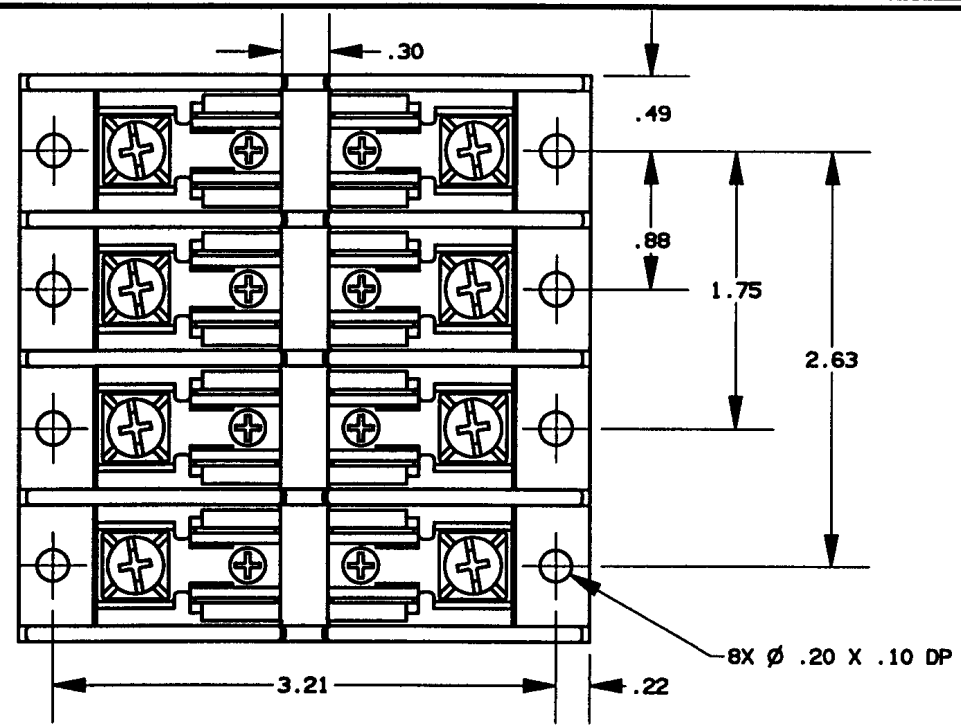


| REV | DATE | ECO | DESCRIPTION | BY | CK | APP |
|-----|---------|-----|-----------------|-----|-----|-----|
| - | 27AUG97 | N/A | INITIAL RELEASE | PRR | N/A | N/A |



| P/N | CONN TYPE | RMS SYM RATING | TORQUE (IN-LBS) | WIRE | | U/L | | CSA |
|--------|----------------|----------------|-----------------|-------|---------|----------|-----------|------------|
| | | | | °C | TYPE | FILE NO. | GUIDE NO. | REPORT NO. |
| 30329T | PRESSURE PLATE | 200K | 20 | 60/75 | CU ONLY | E52283 | IZLT | LR32169 |

NOTES:
 1. TOLERANCES ± .015 UNLESS OTHERWISE SPECIFIED.
 2. MATERIAL COMPOSITION AND RATING THERMOPLASTIC - 125°C RTI.

GOULD 374 MERRIMAC STREET
 NEWBURYPORT, MA 01950

PRODUCT MANAGER: *Michael Zile*
 SIGN: *Michael Zile* DATE: 9-15-97

DESIGN ENGINEER: *Steve M. Boyer*
 SIGN: *Steve M. Boyer* DATE: 9/12/97

FUSE BLOCK, 300V-30A, 4 POLE
 CLASS T

OUTLINE DIMENSIONS
 NOT TO BE USED FOR PRODUCTION

700197