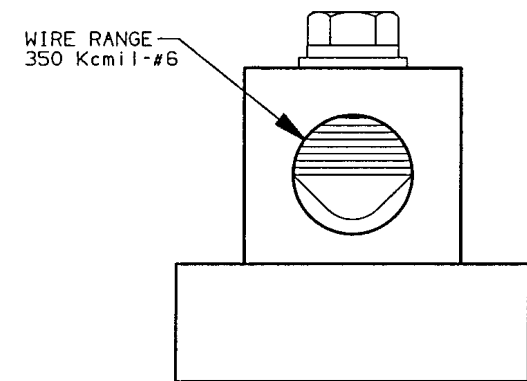
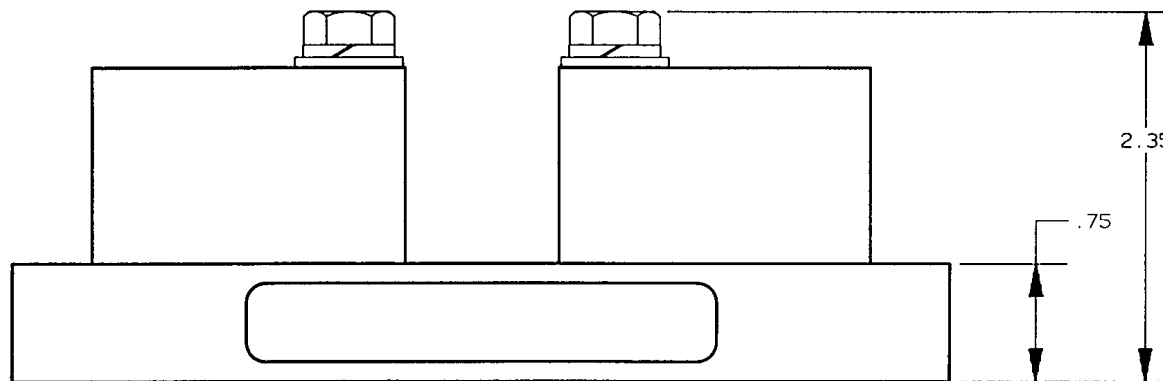
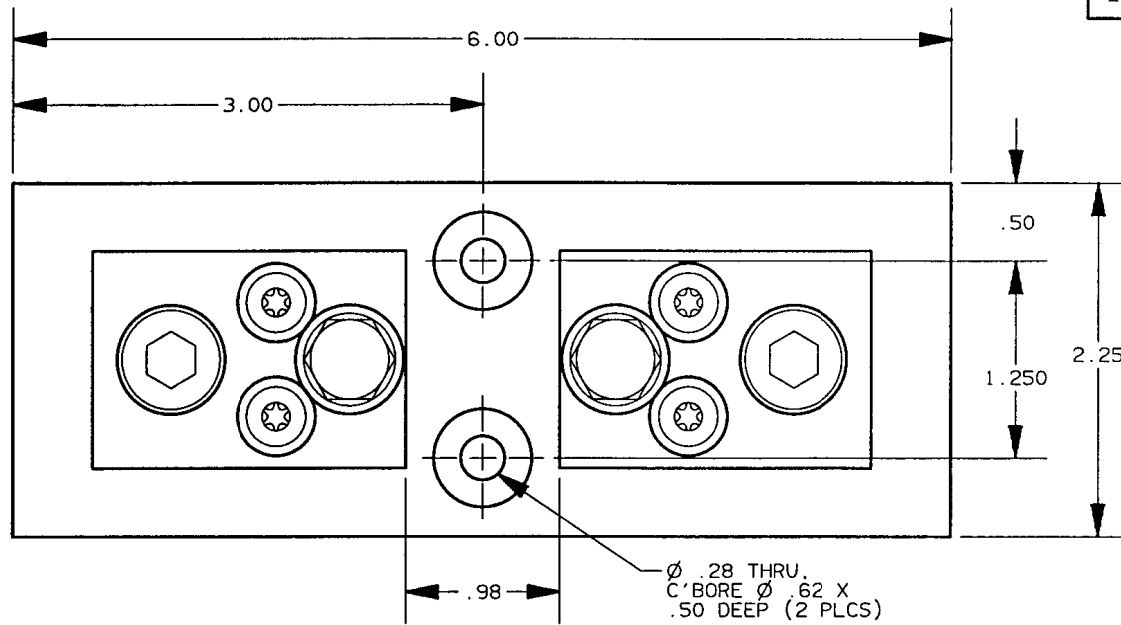


REV	DATE	ECO	DESCRIPTION	BY	CK	APP
-	6-10-97	N/A	INIT RELEASE	DBG	N/A	N/A



NOTES:

1. UNLESS OTHERWISE SPECIFIED MATERIAL COMPOSITION AND RATING:
BASE - THERMOSET 150°C RTI
CONNECTOR-COPPER, TIN PLATED.

P/N	FUSE CLASS	RMS SYM RATING	TORQUE (IN-LBS)	CONNECTOR TYPE	WIRE		UL		CSA
					°C	TYPE	FILE NO.	GUIDE NO.	REPORT NO.
32051T	T	200K	275	BOX	75	CU ONLY	E52283	IZLT	LR32169

GOULD 374 MERRIMAC STREET
NEWBURYPORT, MA 01950

PRODUCT MANAGER

DESIGN ENGINEER

SIGN: *Nick Z...*
DATE: 6-13-97

SIGN: *Alan M. Borg*
DATE: 6/11/97

FUSE, BLOCK 300V-200A
CLASS T
1 POLE

OUTLINE DIMENSIONS
NOT TO BE USED FOR PRODUCTION

700256