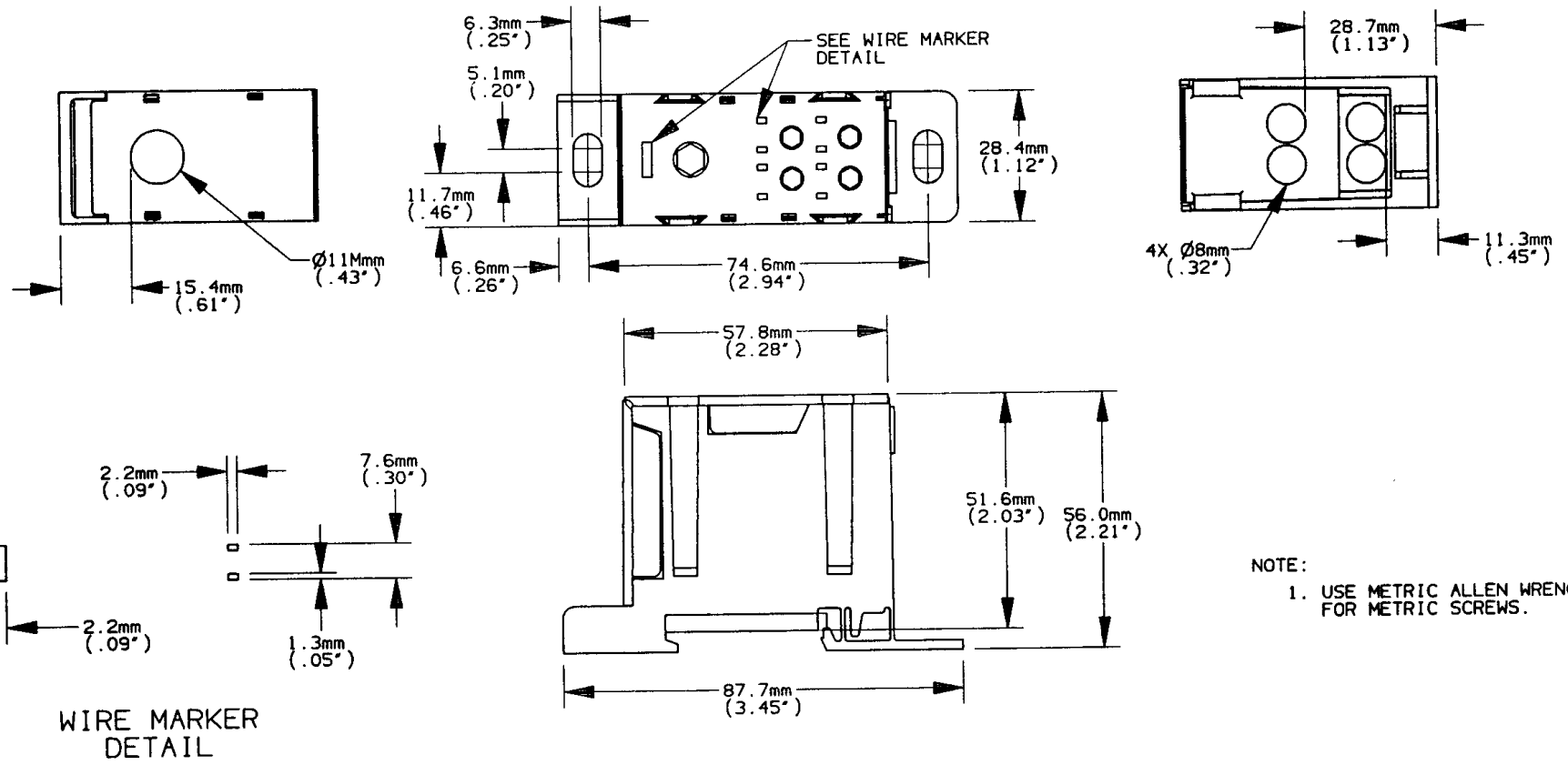


REV	DATE	ECO	DESCRIPTION	BY	CK	APP
B	7/19/04	N/A	ADDED NOTE 1	ELO	N/A	N/A



NOTE:
1. USE METRIC ALLEN WRENCH FOR METRIC SCREWS.

P/N	CONN. MAT'L.	AMP RATING	LINE				LOAD				UL		CSA	
			RANGE	TORQUE	RANGE	TORQUE	RANGE	TORQUE	RANGE	TORQUE	FILE #	GUIDE #	FILE #	CLASS
			AWG/kcmil	in/lbs	mm ²	N-m	AWG/kcmil	in/lbs	mm ²	N-m				
FSPDB2A	AL	175	2/0-#14	2/0-#1 100 #2-#6 80 #8-#14 35	70-2.5	70-50 11.4 35-16 9 10-2.5 3.9	#2-#14	#2-#6 80 #8-#14 35	35-2.5	35-16 9 10-2.5 3.9	E73571	XCFR2	69363	6228
FSPDB2C	Cu	175	2/0-#14	2/0-#1 100 #2-#6 80 #8-#14 35	70-2.5	70-50 11.4 35-16 9 10-2.5 3.9	#2-#14	#2-#6 80 #8-#14 35	35-2.5	35-16 9 10-2.5 3.9	E73571	XCFR2	69363	6228

Ferraz Shawmut
 FERRAZ SHAWMUT INC.
 374 MERRIMAC STREET
 NEWBURYPORT, MA 01950

PRODUCT MANAGER: *Muhl Sen*
 SIGN: *Muhl Sen*
 DATE: 7-19-04

DESIGN ENGINEER: *J. Moore*
 SIGN: *J. Moore*
 DATE: 7/19/04

FINGER-SAFE
 POWER DISTRIBUTION BLOCK
 600V

(1)2/0-#14 X (4)#2-#14
 (1)70-2.5mm² X (4)35-2.5mm²

OUTLINE DIMENSIONS
 NOT TO BE USED FOR PRODUCTION

700901