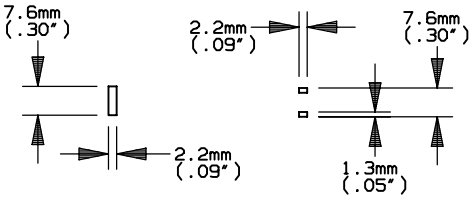
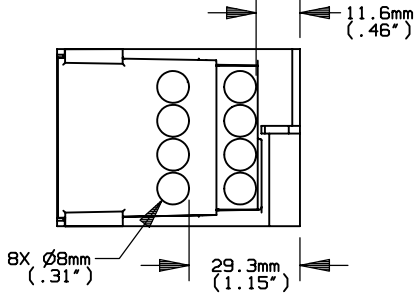
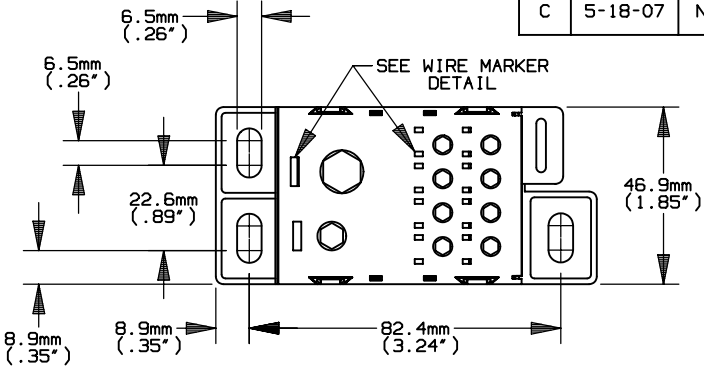
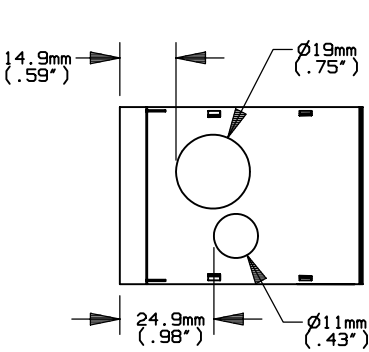
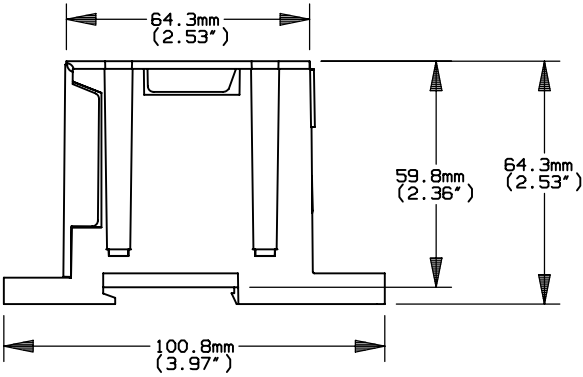


REV	DATE	ECO	DESCRIPTION	BY	CK	APP
C	5-18-07	N/A	CHANGED LOAD INFO FOR FSPDB3C	LDB	N/A	N/A



WIRE MARKER DETAIL



NOTE:
1. USE METRIC ALLEN WRENCH FOR METRIC SCREWS.

P/N	CONN. MAT'L.	AMP RATING	LINE				LOAD				UL		CSA	
			RANGE	TORQUE	RANGE	TORQUE	RANGE	TORQUE	RANGE	TORQUE	FILE #	GUIDE #	FILE #	CLASS
			AWG/kcmil	in/lbs	mm ²	N-m	AWG/kcmil	in/lbs	mm ²	N-m				
FSPDB3A	AL	310	350-#6	350-3/0 200	185-16	185-95 22.6	#2-#14	#2-#6 80	35-2.5	35-16 9	E73571	XCFR2	69363	6228
			2/0-#1 100	70-50 11.4	#8-#14 35	10-2.5 3.9								
			#2-#6 80	35-16 9										
			2/0-#14	70-2.5										
FSPDB3C	Cu	310	350-#6	350-3/0 200	185-16	185-95 22.6	#8-#14	#8-#14 35	10-2.5	10-2.5 3.9	E73571	XCFR2	69363	6228
			2/0-#1 100	70-50 11.4										
			#2-#6 80	35-16 9										
			2/0-#14	70-2.5	70-50 11.4	35-16 9								

Ferraz Shawmut FERRAZ SHAWMUT INC.
374 MERRIMAC STREET
NEWBURYPORT, MA 01950

FINGER-SAFE
POWER DISTRIBUTION BLOCK
600V

OUTLINE DIMENSIONS
NOT TO BE USED FOR PRODUCTION

PRODUCT MANAGER DESIGN ENGINEER
SIGN: DATE: SIGN: DATE:

(1)350-#6 + (1)2/0-#14 X (8)#8-#14
(1)35-2.5 + (1)70-2.5 X (8)10-2.5

700902