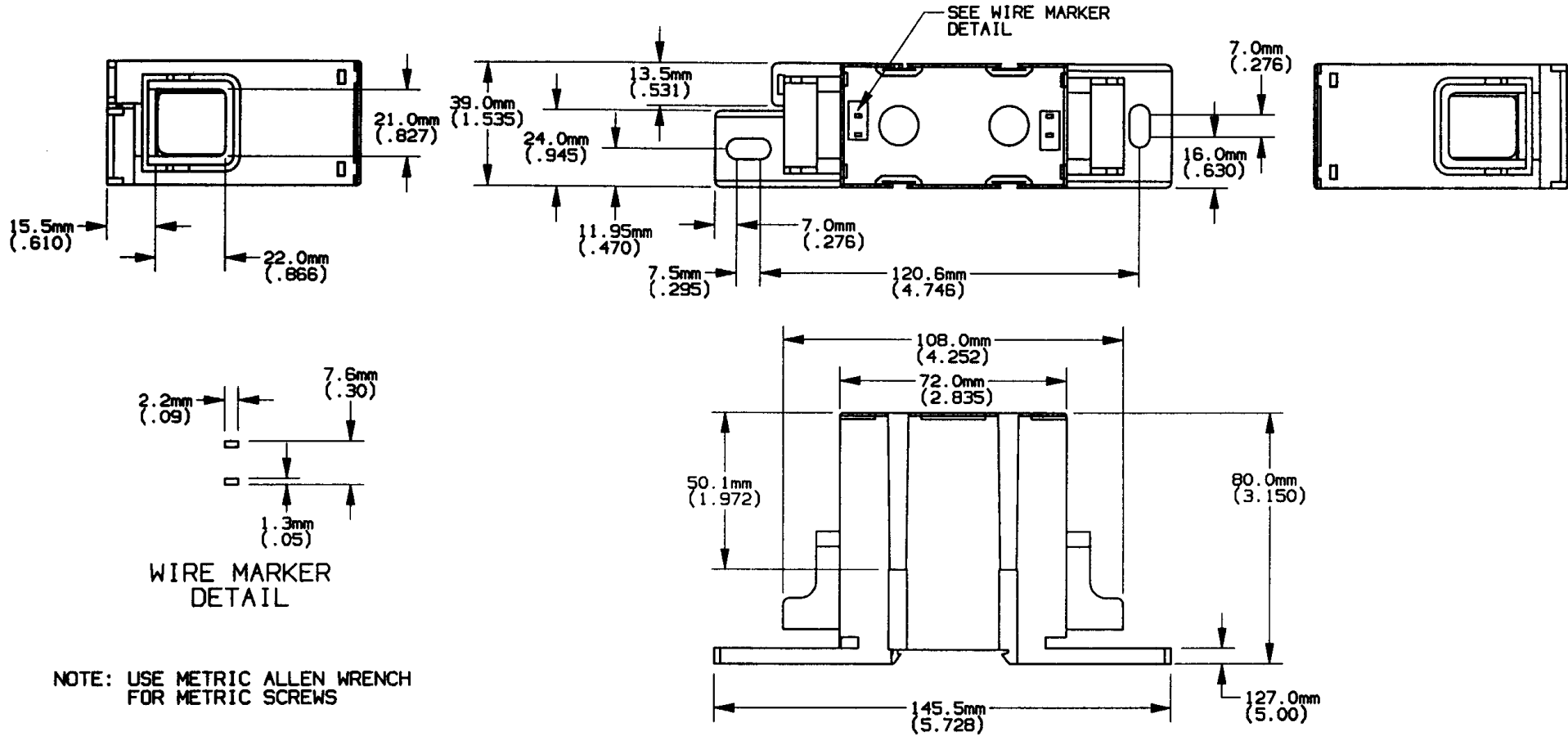


REV	DATE	ECO	DESCRIPTION	BY	CK	APP
-	8/6/03	N/A	INITIAL RELEASE	LAS	N/A	N/A



P/N	CONN. MAT'L.	AMP RATING	LINE								UL		CSA	
			RANGE		TORQUE		RANGE		TORQUE		FILE #	GUIDE #	FILE #	CLASS
			AWG/kcmil	in/lbs	mm ²	N-m	AWG/kcmil	in/lbs	mm ²	N-m				
FSPDB4A	AL	335	400-#6	400-00 220 0-#2 170 #3-#6 130	185-16	185-70 24.9 50-35 19.2 25-16 14.7	400-#6	400-00 220 0-#2 170 #3-#6 130	185-16	185-70 24.9 50-35 19.2 25-16 14.7	E73571	XCRF2	69363	6228
FSPDB4C	Cu	335	400-#6	400-00 220 0-#6 90	185-16	185-70 24.9 50-16 10.2	400-#6	400-00 220 0-#6 90	185-16	185-70 24.9 50-16 10.2	E73571	XCRF2	69363	6228

Ferraz Shawmut
 FERRAZ SHAWMUT INC.
 374 MERRIMAC STREET
 NEWBURYPORT, MA 01950

FINGER-SAFE
 POWER DISTRIBUTION BLOCK
 600V

OUTLINE DIMENSIONS
 NOT TO BE USED FOR PRODUCTION

PRODUCT MANAGER

DESIGN ENGINEER

SIGN: *Null 2h*

SIGN: *gman*

DATE: 6-14-04

DATE: 6/14/04

(1) 400-#6 X (1) 400-#6
 (1) 185-16mm² X (1) 185-16mm²

701004