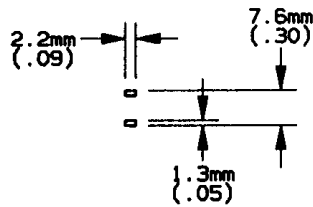
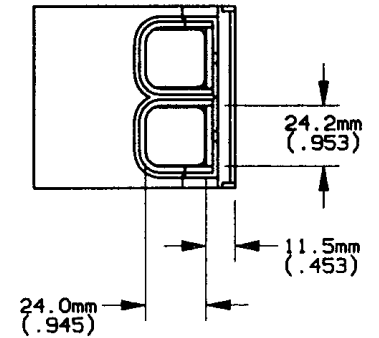
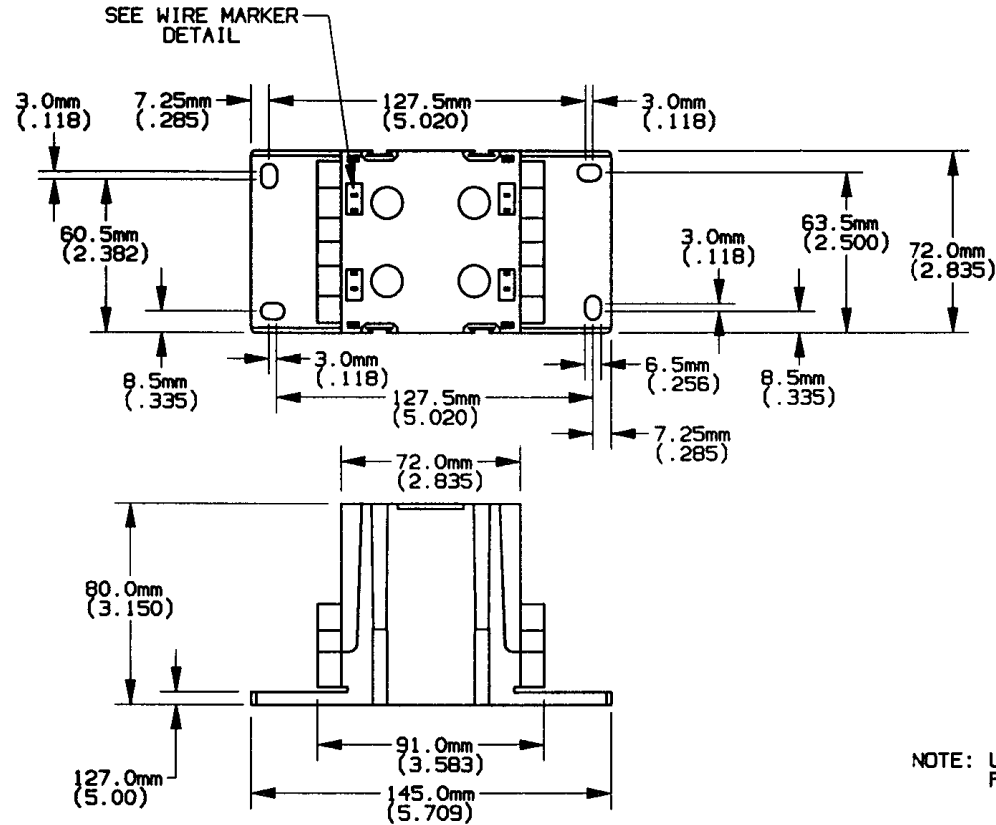
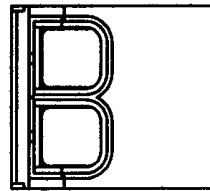


REV	DATE	ECO	DESCRIPTION	BY	CK	APP
-	8/6/03	N/A	INITIAL RELEASE	LAS	N/A	N/A



WIRE MARKER DETAIL

NOTE: USE METRIC ALLEN WRENCH FOR METRIC SCREWS

P/N	CONN. MAT'L.	AMP RATING	LINE				LOAD				UL		CSA			
			RANGE	TORQUE	RANGE	TORQUE	RANGE	TORQUE	RANGE	TORQUE	FILE #	GUIDE #	FILE #	CLASS		
			AWG/kcmil	in/lbs	mm ²	N-m	AWG/kcmil	in/lbs	mm ²	N-m						
FSPDB5A	AL	420	600-#4	310 220 170 130	300-25	300-240 185-70 50-35 25	35.1 24.9 19.2 14.7	600-#4	310 220 170 130	300-25	300-240 185-70 50-35 25	35.1 24.9 19.2 14.7	E73571	XCFR2	69363	6228
FSPDB5C	Cu	420	600-#4	310 220 90	300-25	300-240 185-70 50-25	35.1 24.9 10.2	600-#4	310 220 90	300-25	300-240 185-70 50-25	35.1 24.9 10.2	E73571	XCFR2	69363	6228



FERRAZ SHAWMUT INC.
374 MERRIMAC STREET
NEWBURYPORT, MA 01950

FINGER-SAFE
POWER DISTRIBUTION BLOCK
600V

OUTLINE DIMENSIONS
NOT TO BE USED FOR PRODUCTION

PRODUCT MANAGER
SIGN: *Nickel*
DATE: 6-14-04

DESIGN ENGINEER
SIGN: *Mosconi*
DATE: 6/14/04

(2) 600-#4 X (2) 600-#4
(2) 300-25mm² X (2) 300-25mm²

701005