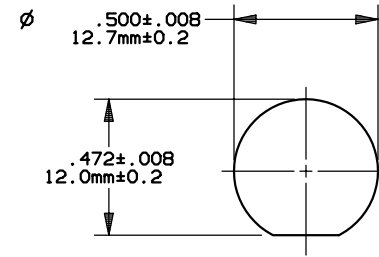
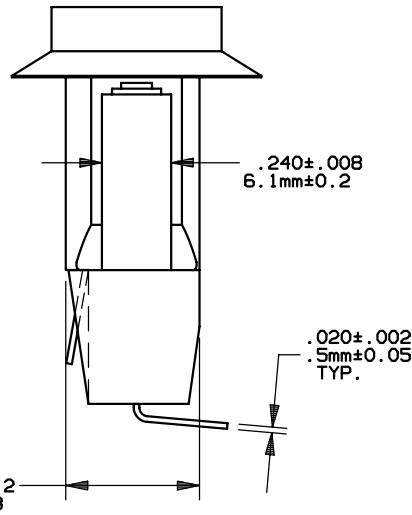
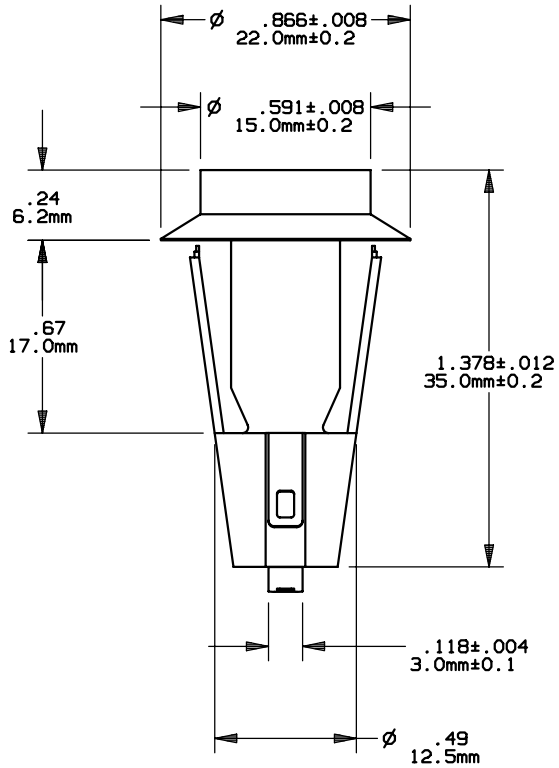
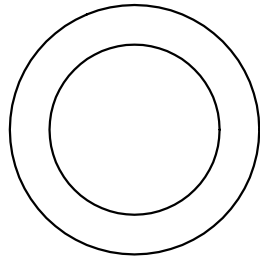


REV	DATE	ECO	DESCRIPTION	BY	CK	APP
-	10-21-05	NA	INITIAL RELEASE	LDB	NA	NA



MOUNTING HOLE

NOTE:

1. INSULATING BODY: UL94-V0 FLAME RETARDANT POLYCARBONATE



FERRAZ SHAWMUT INC.
374 MERRIMAC STREET
NEWBURYPORT, MA 01950

PRODUCT MANAGER
SIGN:
DATE:

DESIGN ENGINEER
SIGN:
DATE:

GPM-A6
FUSE HOLDER 5X20mm
6.3A 250V 2.5W

OUTLINE DIMENSIONS
NOT TO BE USED FOR PRODUCTION

701215