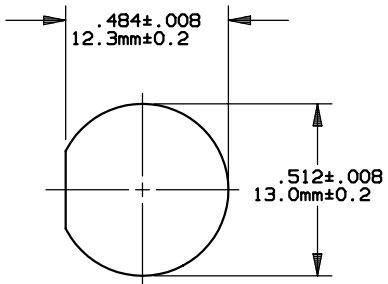
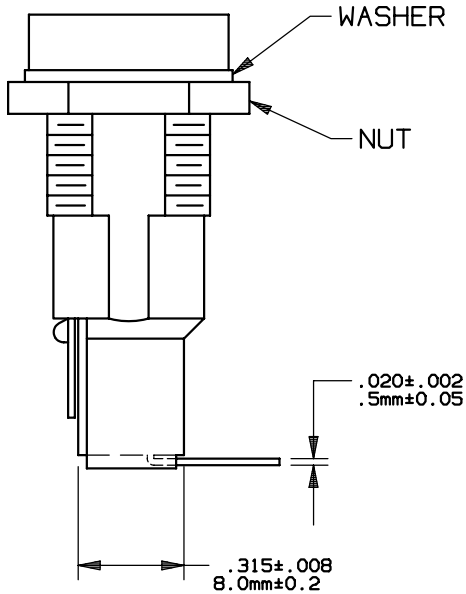
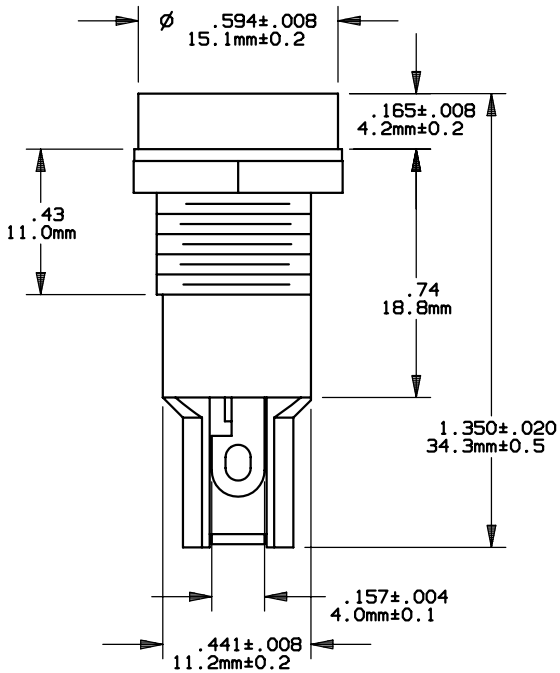
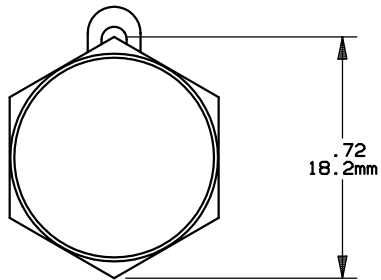


REV	DATE	ECO	DESCRIPTION	BY	CK	APP
-	10-21-05	NA	INITIAL RELEASE	LDB	NA	NA



MOUNTING HOLE

NOTE:

- 1. INSULATING BODY: BAKELITE



FERRAZ SHAWMUT INC.  
374 MERRIMAC STREET  
NEWBURYPORT, MA 01950

PRODUCT MANAGER  
SIGN:  
DATE:

DESIGN ENGINEER  
SIGN:  
DATE:

GPM-A8  
FUSE HOLDER 5X20mm  
10A 250V

OUTLINE DIMENSIONS  
NOT TO BE USED FOR PRODUCTION

701217