

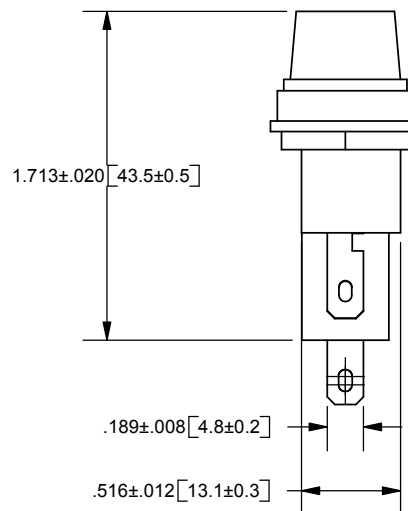
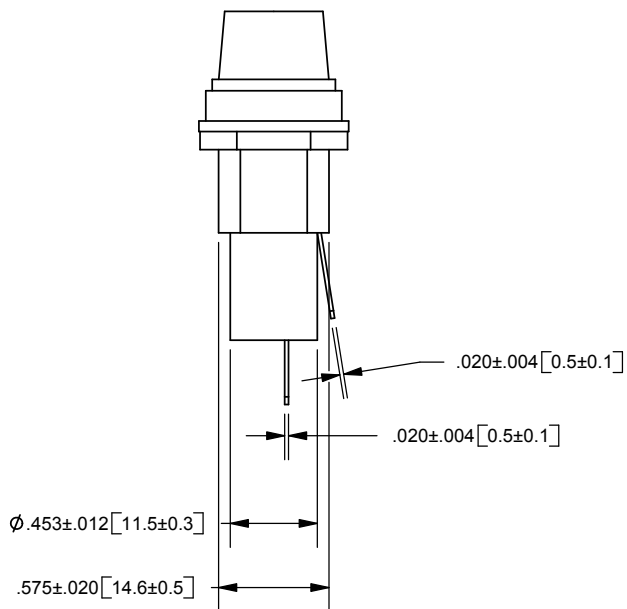
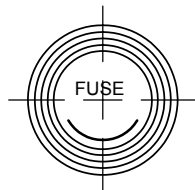
REV	DATE	ECO	DESCRIPTION	BY	CK	APP
-	10-25-05	NA	INITIAL RELEASE	LDB	NA	NA

NOTES:

- FUSE HOLDER PANEL MOUNT TYPE FOR 6.3X30mm AND 6.3X32mm FUSES UL&CSA APPROVED

SPECIFICATIONS:

- *ELECTRICAL: RATED AT 10A 250V AC
- *INSULATING BODY: BAKELITE
- *KNOB: FINGER-GRIP FUSE EXTRACTOR TYPE WITH NICKEL-PLATED COPPER ALLOY INSERT. SPRING LOADED.
- *TERMINALS: NICKLE-PLATED COPPER ALLOY, SOLDER TYPE.



DIMENSIONS IN [] ARE MILLIMETERS



FERRAZ SHAWMUT INC.
374 MERRIMAC STREET
NEWBURYPORT, MA 01950

GPM-G1
FUSE HOLDER
6.3X30mm and 6.3X32mm
10A 250VAC

OUTLINE DIMENSIONS
NOT TO BE USED FOR PRODUCTION

701221

PRODUCT MANAGER
SIGN:
DATE:

DESIGN ENGINEER
SIGN:
DATE: