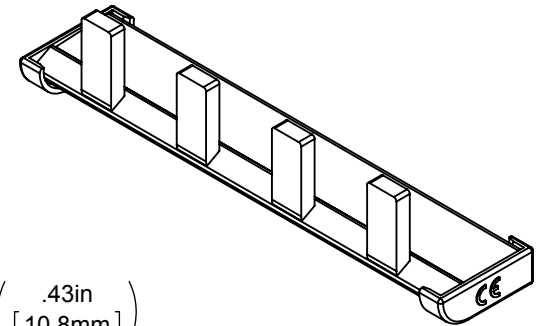
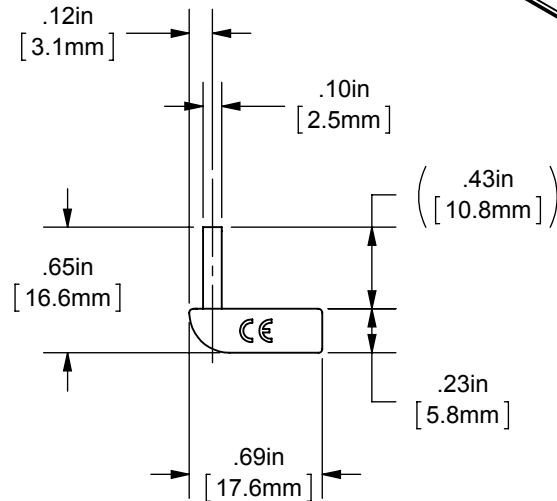
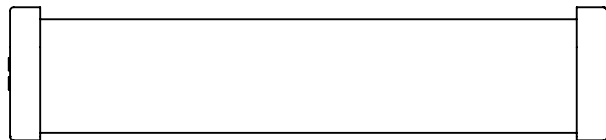
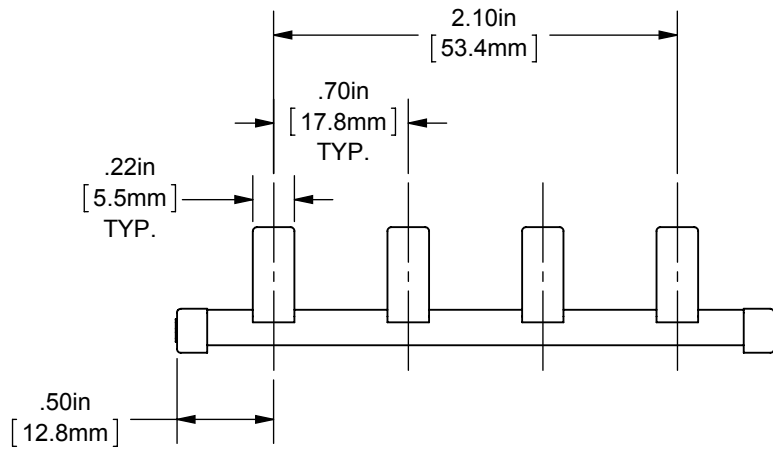
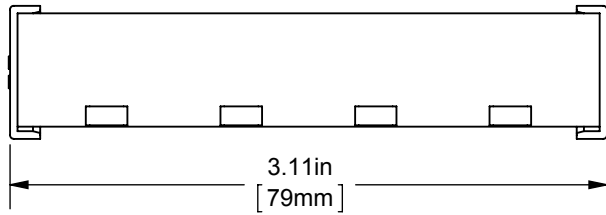


REV.	DATE	ECO	DESCRIPTION	BY	CK	APP
-	10-18-12	N/A	INITIAL RELEASE	LDB	N/A	N/A



DIMENSIONS IN [] ARE MILLIMETERS



MERSEN USA NEWBURYPORT-MA, LLC
374 MERRIMAC STREET
NEWBURYPORT, MA 01950

USBB1PH25K4

BUSBAR 1-PHASE 4-POLE

100A 600VAC/1000VDC

OUTLINE DIMENSIONS
NOT TO BE USED FOR PRODUCTION

701863

PRODUCT MANAGER

SIGN:

DATE:

DESIGN ENGINEER

SIGN:

DATE: