

Mersen Clips Are Available In Several Finishing's And Base Materials Which Meet Specific Current, Strength, And Conductivity Requirements.

# Specification Guide Codes:

- A= Item Number**
- B= Metal Material**
- C= Material Thickness (mm)**
- D= Suitable Rated Current**

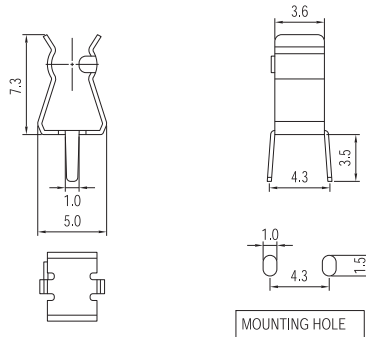
# Option Finish Selecting:

- N= Nickel Plating**
- S= Silver Plating**
- (To Order Add **N** or **S** e.g. **CQ-205B N**)

## P.C. BOARD MOUNT FUSE CLIPS FOR 3.6 mm DIAMETER FUSES



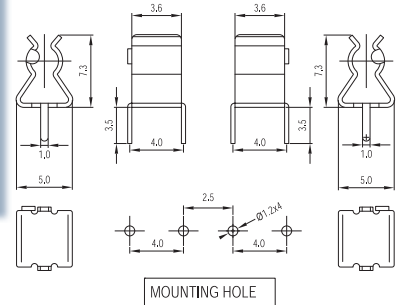
**CQ-301A**



**B:** Spring Brass  
**C:** 0.3t  
**D:** 10A  
 Bright Tin Plated  
 Ear Type



**CQ-301B**

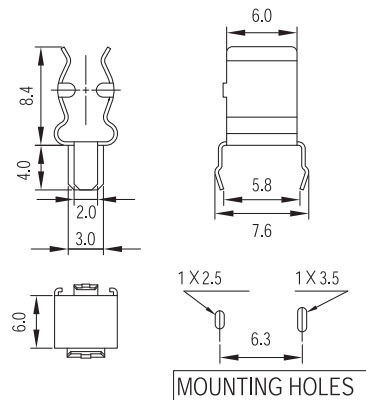


**B:** Spring Brass  
**C:** 0.4t  
**D:** 10A  
 Bright Tin Plated  
 Ear Type

## P.C. BOARD MOUNT FUSE CLIPS FOR 5 mm DIAMETER FUSES



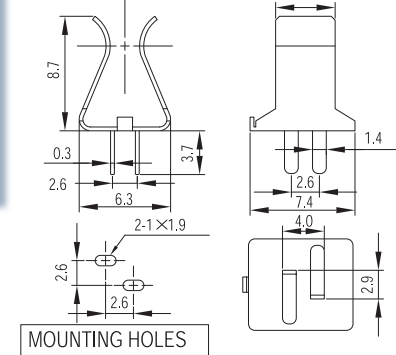
**CQ-203B**



**B:** Phosphor Bronze  
**C:** 0.3t  
**D:** 10A  
 Bright Tin Plated  
 Ear Type



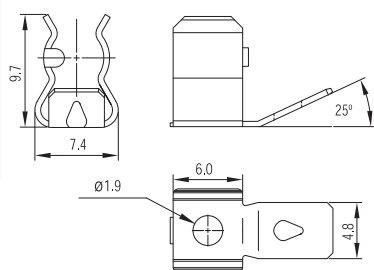
**CQ-203D**



**B:** Spring Brass  
**C:** 0.3t  
**D:** 15A  
 Bright Tin Plated



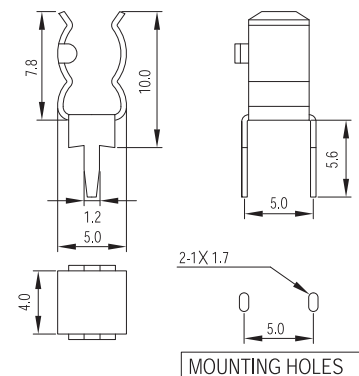
**CQ-203E**



**B:** Phosphor Bronze  
**C:** 0.5t  
**D:** 15A  
 Bright Tin Plated  
 Ear Type



**CQ-203H**



**B:** Spring Brass  
**C:** 0.4t  
**D:** 6.3A  
 Bright Tin Plated