

Mersen Clips Are Available In Several Finishing's And Base Materials Which Meet Specific Current, Strength, And Conductivity Requirements.

Specification Guide Codes:

- A= Item Number**
- B= Metal Material**
- C= Material Thickness (mm)**
- D= Suitable Rated Current**

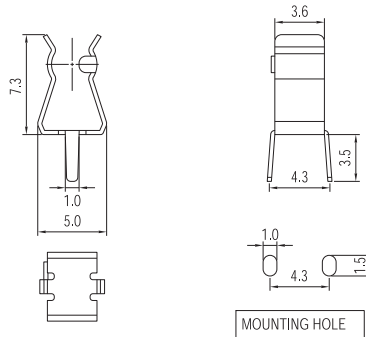
Option Finish Selecting:

- N= Nickel Plating**
- S= Silver Plating**
- (To Order Add **N** or **S** e.g. **CQ-205B N**)

P.C. BOARD MOUNT FUSE CLIPS FOR 3.6 mm DIAMETER FUSES



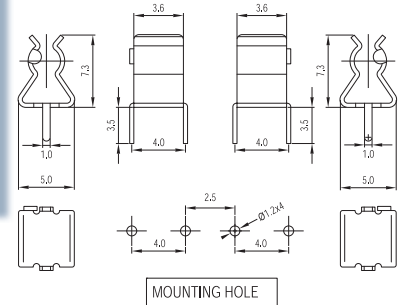
CQ-301A



B: Spring Brass
C: 0.3t
D: 10A
 Bright Tin Plated
 Ear Type



CQ-301B

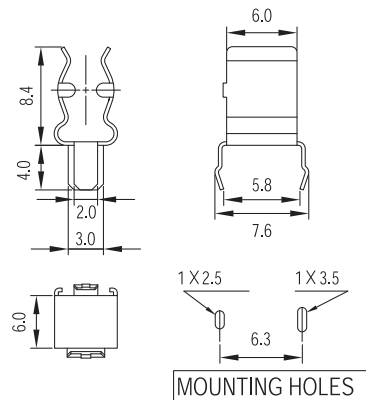


B: Spring Brass
C: 0.4t
D: 10A
 Bright Tin Plated
 Ear Type

P.C. BOARD MOUNT FUSE CLIPS FOR 5 mm DIAMETER FUSES



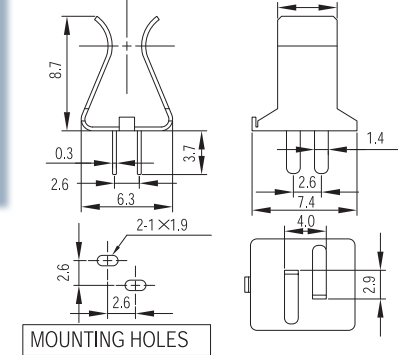
CQ-203B



B: Phosphor Bronze
C: 0.3t
D: 10A
 Bright Tin Plated
 Ear Type



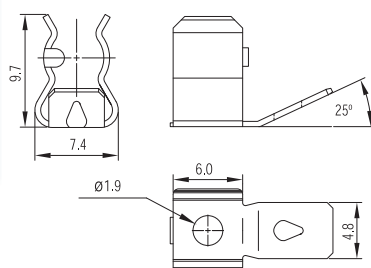
CQ-203D



B: Spring Brass
C: 0.3t
D: 15A
 Bright Tin Plated



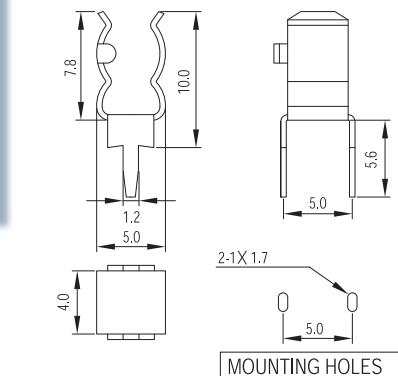
CQ-203E



B: Phosphor Bronze
C: 0.5t
D: 15A
 Bright Tin Plated
 Ear Type



CQ-203H



B: Spring Brass
C: 0.4t
D: 6.3A
 Bright Tin Plated

Specification Guide Codes:

A= Item Number

B= Metal Material

C= Material Thickness (mm)

D= Suitable Rated Current

Beryllium Copper Recommended For Current Higher Than 10A To Order Add " Q " e.g. CQ-203S Q

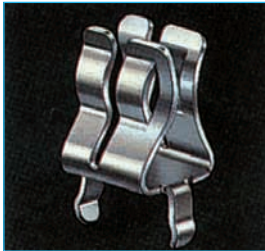
Option Finish Selecting:

N= Nickel Plating

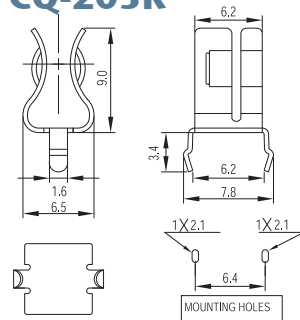
S= Silver Plating

(To Order Add **N** or **S** e.g. **CQ-205B N**)

P.C. BOARD MOUNT FUSE CLIPS FOR 5 mm DIAMETER FUSES



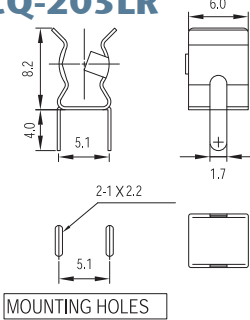
CQ-203K



B: Phosphor Bronze
C: 0.4t **D:** 10A
Bright Tin Plated



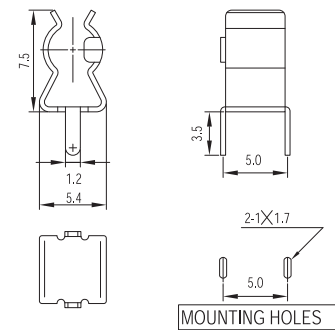
CQ-203LR



B: Phosphor Bronze
C: 0.3t **D:** 15A
Bright Tin Plated
Ear Type



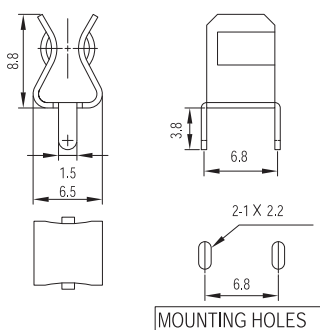
CQ-203P



B: Spring Brass
C: 0.4t **D:** 10A
Bright Tin Plated
Ear Type



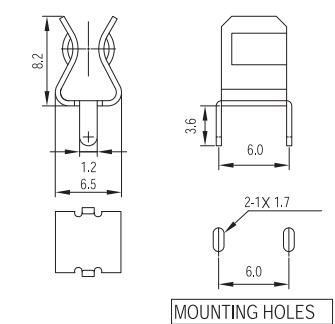
CQ-203S



B: Spring Brass
C: 0.5t **D:** 15A
Bright Tin Plated
Ear Type



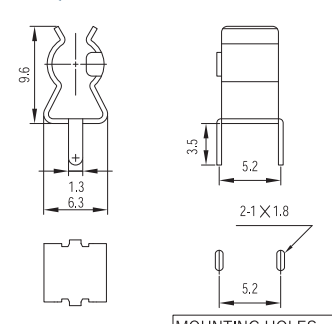
CQ-203SF



B: Spring Brass
C: 0.4t **D:** 10A
Bright Tin Plated
Ear Type



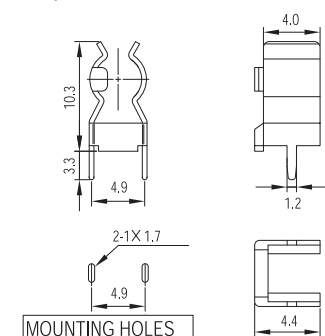
CQ-203SP



B: Spring Brass
C: 0.4t **D:** 10A
Bright Tin Plated
Ear Type



CQ-203T

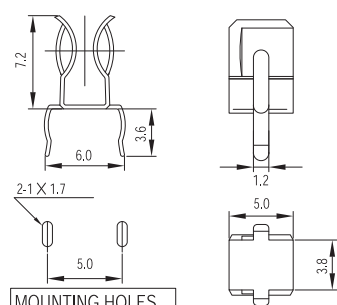


B: Spring Brass
C: 0.4t **D:** 10A
Bright Tin Plated
Ear Type



CQ-450

For 4.5 or 5mm Dia. Fuses



B: Phosphor Bronze
C: 0.4t **D:** 10A
Bright Tin Plated
Ear Type

F